



INSTALLATION MANUAL

CT-LCD-504A

Ceiling Mount for 10" to 30" LCD Television



PACKAGE CONTENTS

This package contains:

- One CT-LCD-504A Wall Mount
- Installation accessories
- Installation Manual

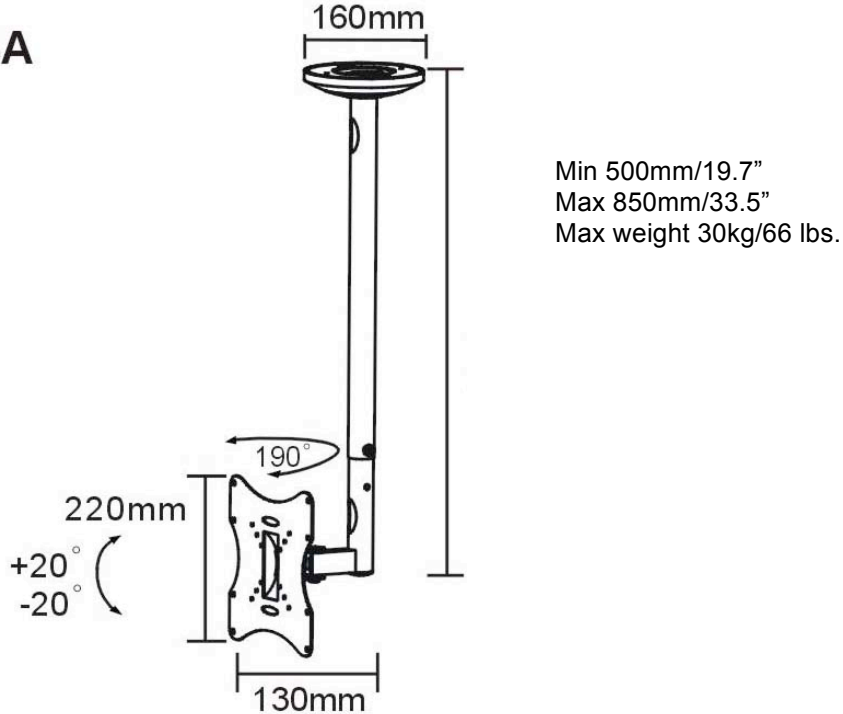
PRODUCT DESCRIPTION

The CT-LCD-504A is a ceiling mount designed to support 10" to 30" LCD televisions with a maximum weight of 66 lbs. The LCD-504A is made of steel and comes in a silver finish. The unit swivels left and right up to 190 degrees, and can be tilted up or down up to 20 degrees. Mast extends from 19.7" to 33.5". VESA® standard 50mm/75mm/100mm/200mm/200mmx100mm LCD monitors and televisions are supported.

SPECIFICATIONS

The diagram below represents dimensions and articulating range of the CT-LCD-504A

LCD-504A



INSTALLATION

NOTE TO INSTALLER

Warning: The installer of this product must verify that the mounting surface will safely support the combined weight of all attached equipment and hardware. This product is designed to mount an LCD TV weighing up to 66 lbs to the ceiling. The included hardware is for mounting on solid brick, concrete or hard wood batten ceiling. If mounting on wood, do not use any concrete anchor. If you are uncertain about the nature of your ceiling, consult an expert. Please consult your hardware or installation professional for proper mounting on other types of ceilings. Do not mount on plasterboard or paneled ceiling. The supplied hardware is not for steel. North American Cable Equipment, Inc. will not be held liable for the improper use or installation of this product.

















1. UNPACKING and HANDLING

Each unit is shipped with all necessary mounting hardware. Ensure that all accessories are removed from the container before discarding packing material

2. MECHANICAL INSPECTION

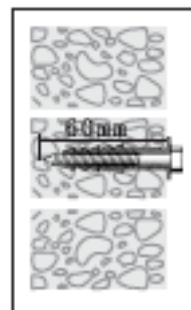
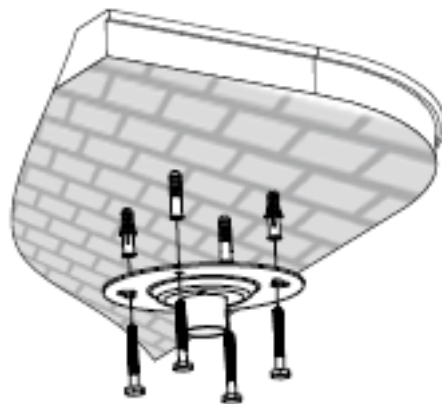
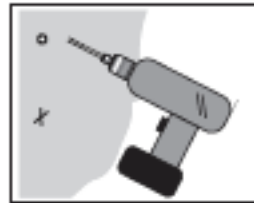
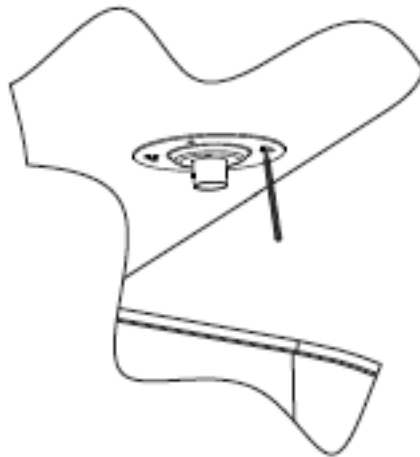
Inspect the product for shipping damage. Make sure the equipment is clean and damage free. If equipment appears to be damaged or defective please contact us at 1-610-429-1511 for assistance.

3. SUPPLIED PARTS

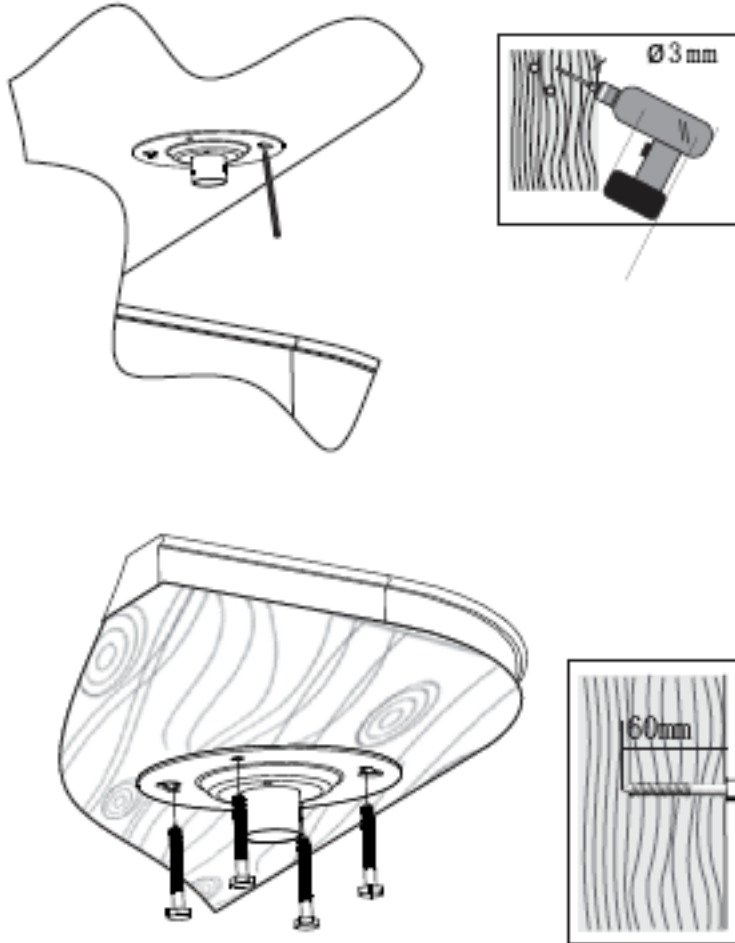
(A)	 M5x10	X4	(B)	 M4x10	X4	(C)	 M6x10	X4	(D)	 M6x60	X4	(E)	 ∅ 10x50	X4	(F)	 M8x50	X1
(G)	 M8	X1	(H)	 M8	X1	(I)	 M8	X2	(J)	 M8x20	X1	(K)	 M6x40	X2	(L)	 M6x10	X2
(M)	 M6	X2	(N)	 ∅ 32	X1	(O)	 30x20	X1	(P)		X1	SUPPLIED PARTS: Supplied joint parts are exclusive for using in this product. Other joint parts are forbidden to use on this product. If any parts are missing or faulty, telephone the special franchiser for a placement.					

3. INSTALLATION

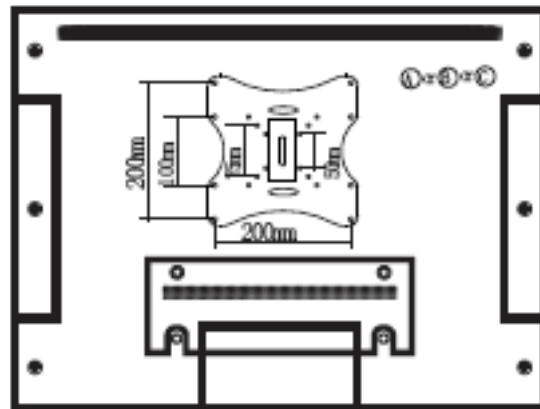
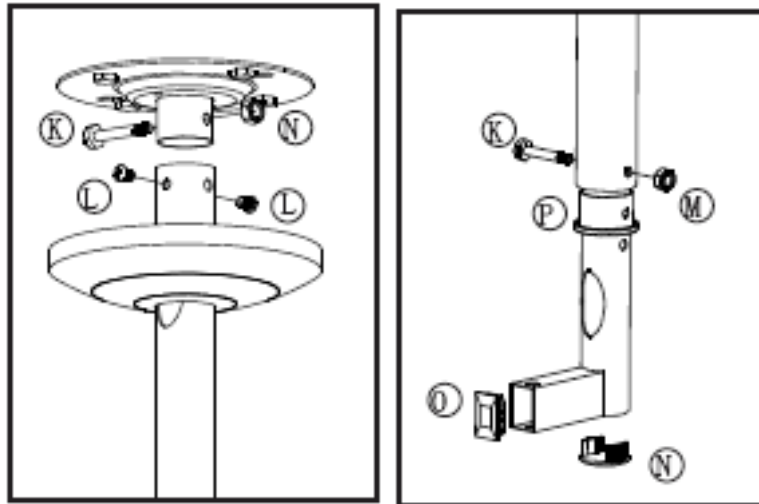
- a. Predetermine the best possible viewing location for the monitor.
- b. The CT-LCD-504 should be mounted to a solid brick, concrete or hard wood batten ceiling.
- c. **For solid brick or concrete mounting:** Use the Ceiling Plate as a template to mark 4 hole locations on the ceiling. Pre-drill these holes with an 8mm masonry bit to at least 2.4 inches in depth. Insert **Concrete Anchor E** into each of these holes. Attach the Ceiling Plate to the ceiling using **4 Lag Bolts D**.



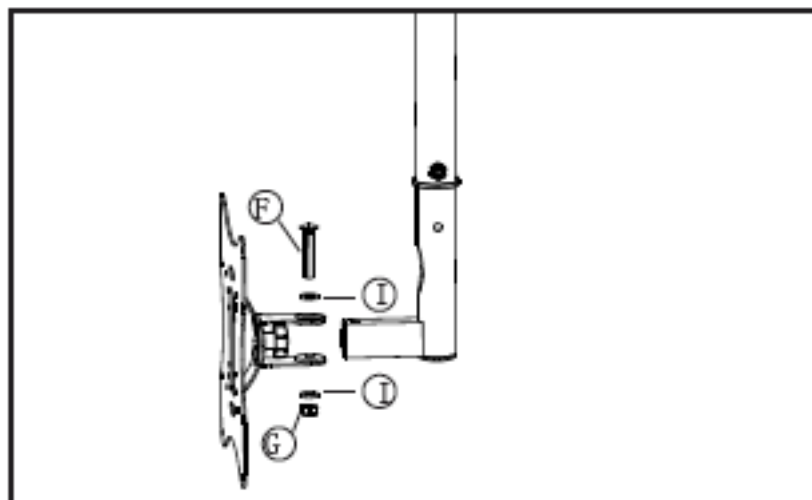
- d. **For hard wood ceiling mounting:** Use the Ceiling Plate as a template to mark 4 hole locations on the ceiling. Drill holes with a 3 mm drill bit to at least 2.4 inches in depth. Attach the Ceiling Plate to the ceiling using 4 Lag Bolts D. Do not use any concrete anchor when you mount the bracket onto the hard wood ceiling.



- e. **Fit Screen:** Attach the LCD mount to the bracket using 4 of the provided **A, B** or **C screws**. The standard fixing plate suits VESA 50mm, 75mm, 100mm, 200mm and 200 x 100mm fixing centers.



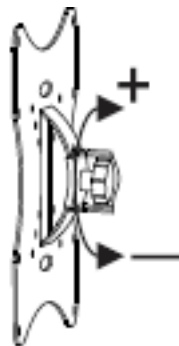
BACK VIEW OF LCD TV



- f. **Hide Cables:** Wrap loose cables using cable ties. However, be sure to provide sufficient slack for the full movement of the TV/monitor.



- g. **Adjust Position:** Hold screen tight during adjustment. Loosen the adjustment by turning the knob counter clockwise (-) one or two rotations. Tilt the screen. Tighten by turning the knob clockwise (+).



- h. Check installation every two months to ensure screws are well fixed.
- i. For assistance contact Cabletronix sales engineers at 1-610-429-1511.

