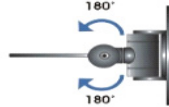
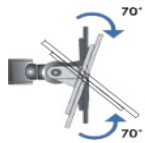


Wall Mounts For LCD Televisions & Monitors

CT-LCD-101-* Extending Wall Mount For LCD Television/Monitor

Specifications:

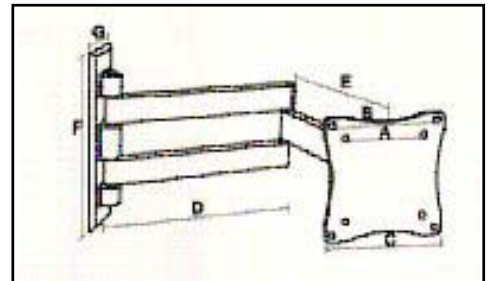
- For VESA standard 75 x 75mm and 100 x 100mm
- Max loading capacity: 15kg / 33lbs
- Aluminum material
- Swivels left and right up to 180 degrees
- Upwards and downwards up to 70 degrees
- Max extension: 365mm
- Min extension: 55mm
- Ideal space saver: folds flat to the wall
- Hardware included
- Color options: silver, black, white



CT-LCD-101-B **Black**
 CT-LCD-101-W **White**
 CT-LCD-101-S **Silver**

Measurements:

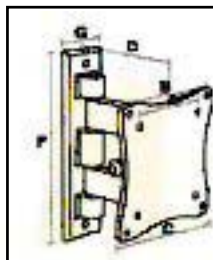
- A: 3" (75mm)
- B: 4" (100mm)
- C: 4.5" (114mm)
- D: 8" (205mm)
- E: 5.9" (150mm)
- F: 6.7" (170mm)
- G: 1.8" (45mm)



CT-LCD-103 Rotating Wall Mount For LCD Television/Monitor

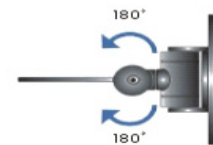
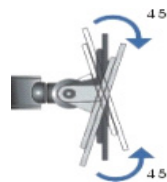
Specifications:

- For VESA standard 75 x 75mm and 100 x 100mm
- Max loading capacity: 15kg/33 pounds
- Aluminum material
- Swivels left and right up to 180 degrees
- Upwards and downwards up to 70 degrees
- Max extension: 70mm
- Min extension: 55mm
- Ideal space saver: folds flat to the wall



Measurements:

- A: 3" (75mm)
- B: 4" (100mm)
- C: 4.5" (114mm)
- D: 2.7" (70mm)
- F: 6.7" (170mm)
- G: 1.8" (45mm)

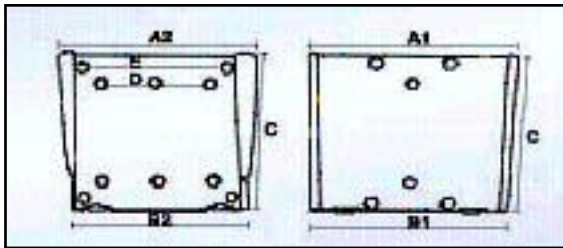


Wall Mounts For LCD Televisions & Monitors

CT-LCD-201 Flush Wall Mount For LCD Television/Monitor

Specifications:

- For VESA standard 75 / 100mm
- Max. loading capacity: 30kg / 66lbs
- Steel material
- Easy mounting



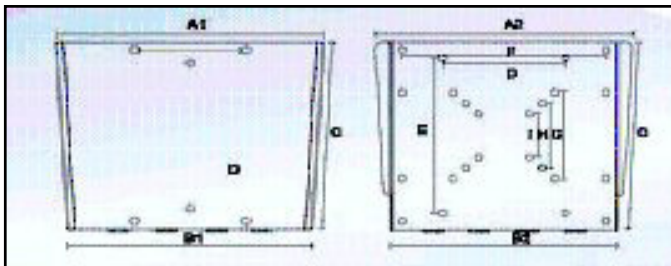
Measurements:

- A1: 5.5" (140mm)
- A2: 4.3" (110mm)
- B1: 5.1" (130mm)
- B2: 4.5" (115mm)
- C: 4.7" (120mm)
- D: 3" (75mm)
- E: 4" (100mm)

CT-LCD-201L Flush Wall Mount For LCD Television/Monitor

Specifications:

- For VESA standard 50 / 75 / 100 / 200 x 100 / 200 x 200mm
- Max. loading capacity: 30kg / 66lbs
- Steel material
- Easy mounting



Measurements:

- A1: 10.4" (265mm)
- A2: 10" (254mm)
- B1: 9.5" (242mm)
- B2: 8.8" (224mm)
- C: 8.6" (220mm)
- D: 4.7" (120mm)
- E: 7.1" (180mm)
- F: 7.9" (200mm)
- G: 4" (100mm)
- H: 3" (75mm)
- I: 2" (50mm)

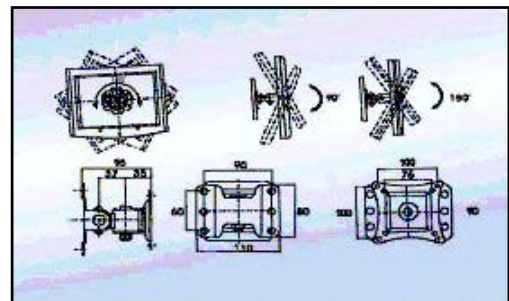
CT-LCD-302- Swiveling / Tilting Wall Mount For LCD Television/Monitor



Specifications:

- For VESA standard 75 / 100mm
- Max. Loading capacity: 15kg / 33lbs
- Steel material
- Easy mounting

CT-LCD-302-B **Black**
CT-LCD-302-S **Silver**



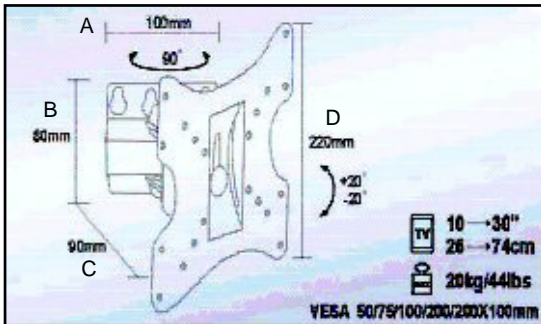


Wall Mounts For LCD Televisions & Monitors

CT-LCD-401A Swivel/Tilt Wall Mount For LCD Television/Monitor

Specifications:

- For VESA standard 50/75/100/200/200X100
- Max loading capacity: 20kg/44lbs
- Steel material
- Swivels left and right up to 90 degrees
- Tilt upwards and downwards up to 20 degrees
- Hardware included
- Color: silver



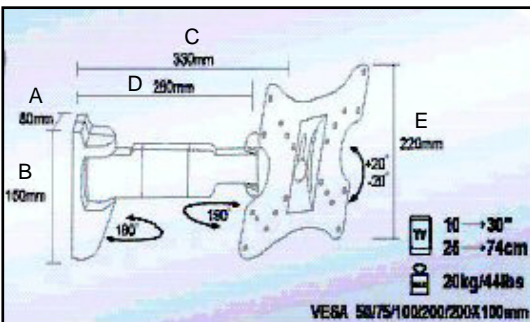
Measurements:

- A: 4" (100mm)
- B: 3.2" (80mm)
- C: 3.5" (90mm)
- D: 8.6" (220mm)

CT-LCD-402A Swivel/Tilt Wall Mount For LCD Television/Monitor

Specifications:

- For VESA standard 50/75/100/200/200X100MM
- Max loading capacity: 20kg/44lbs
- Steel material
- Swivels left and right up to 190 degrees
- Tilt upwards and downwards up to 20 degrees
- Hardware included
- Color: silver
- With cable management



Measurements:

- A: 3.2" (80mm)
- B: 5.9" (150mm)
- C: 13" (330mm)
- D: 10.2" (260mm)
- E: 8.7" (220mm)

Wall Mounts For LCD Televisions & Monitors

CT-LCD-403A-* Swivel/Tilt Wall Mount For LCD Television/Monitor

Specifications:

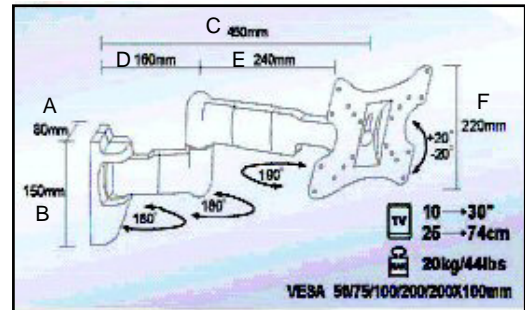
- For VESA standard 50/75/100/200/200X100MM
- Max loading capacity: 20kg/44 pounds
- Suitable for LCD from 10" to 30"
- With cable management
- Steel material
- Swivels left and right up to 190 degrees
- Tilts upwards and downwards up to 20 degrees
- Max extension: 75mm
- Min extension: 50mm
- Ideal space saver: folds flat to the wall
- Hardware included
- Color options: silver, black, white



CT-LCD-403A-B **Black**
 CT-LCD-403A-W **White**
 CT-LCD-403A-S **Silver**

Measurements:

A: 3.2" (80mm)
 B: 5.9" (150mm)
 C: 17.7" (450mm)
 D: 6.3" (160mm)
 E: 9.5" (240mm)
 F: 8.7" (220mm)



CT-LCD-504A-* Ceiling Mount For LCD Television/Monitor

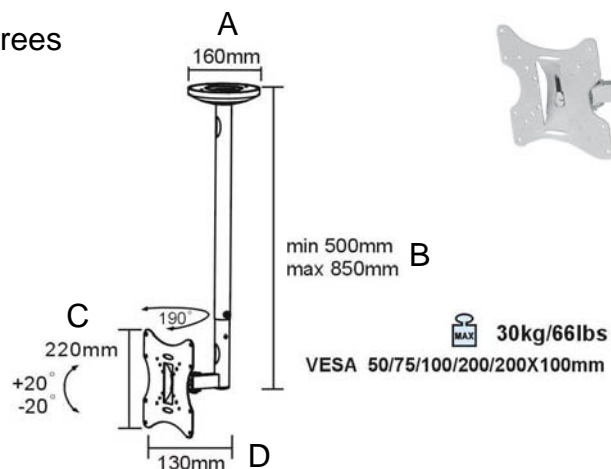
Specifications:

- For VESA standard 50/75/100/200/200X100mm
- Max loading capacity: 66 pounds
- Suitable for LCD from 10" to 30"
- Steel material
- Swivels left and right up to 190 degrees
- Tilts upwards and downwards up to 20 degrees
- Mast extends 19.7" to 33.5"

CT-LCD-504A-B **Black**
 CT-LCD-504A-W **White**
 CT-LCD-504A-S **Silver**

Measurements:

A: 6.3" (160mm)
 B: 19.7" - 33.5"
 (500 - 850mm)
 C: 8.6" (220mm)
 D: 5.1" (130mm)



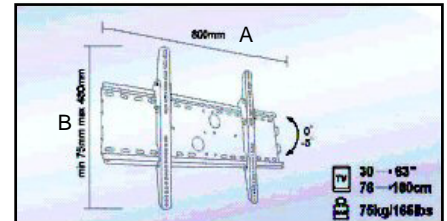
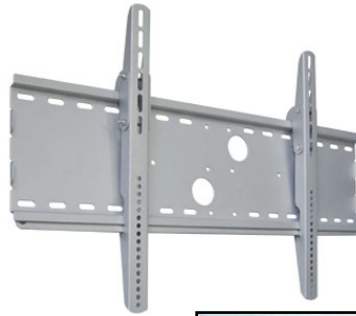


Wall Mounts For Plasma or LCD Televisions & Monitors

CT-PLB-1 Wall Mount For Plasma Or LCD Television/Monitor

Specifications:

- Max loading capacity: 75kg / 165 pounds
- Universal support with a fixed inclination for large Plasma and LCD TVs
- Modern streamlined design
- Ideal for 30" to 63" Plasma TVs
- 0° to 5° Adjustable tilt
- Color: silver



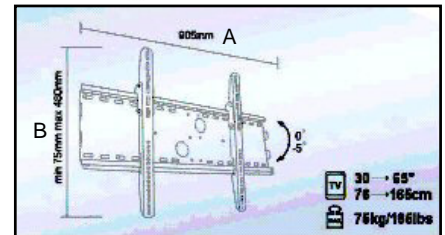
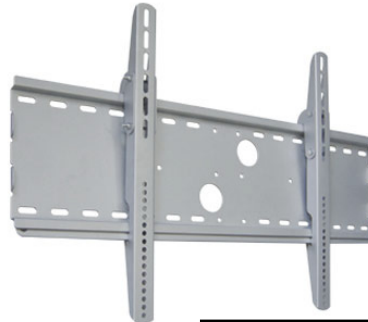
Measurements:

- A: 31.5" (800mm)
- B: 2.96" - 18.9" (75 - 480mm)

CT-PLB-1L Wall Mount For Plasma Or LCD Television/Monitor

Specifications:

- Max loading capacity: 75kg / 165 pounds
- Modern streamlined design
- Ideal for 30" to 63" Plasma TVs
- 0° to 5° Adjustable tilt
- Color: silver



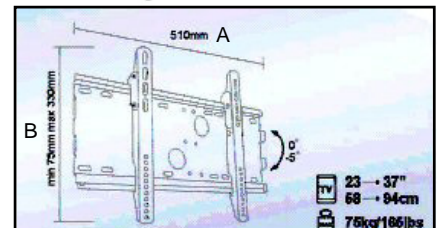
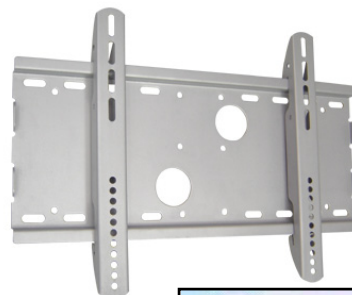
Measurements:

- A: 35.66" (905mm)
- B: 2.96" - 18.9" (75 - 480mm)

CT-PLB-3 Wall Mount For Plasma Or LCD Television/Monitor

Specification:

- Max. loading capacity: 75kg / 165lbs
- Universal support with a fixed inclination for large Plasma and LCD TVs
- Modern streamlined design
- Ideal for 23" to 36" plasma TV
- 0° to 5° Adjustable tilt
- Color: silver



Measurements:

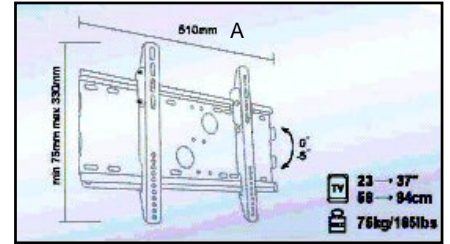
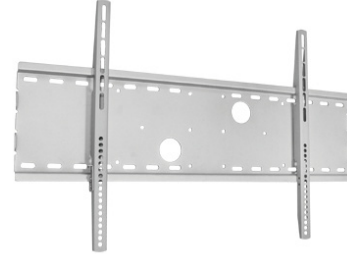
- A: 20.1" (510mm)
- B: 2.96" - 13" (75 - 330mm)

Wall Mounts For Plasma or LCD Televisions & Monitors

CT-PLB-13 Wall Mount For Plasma Or LCD Television/Monitor

Specifications:

- Universal wall bracket for 30"-63" plasma/LCD with movable arm systems
- Max loading capacity: 75kgs / 165lbs
- Simple design
- Hardware included
- Color: silver



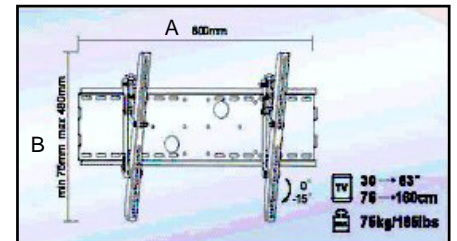
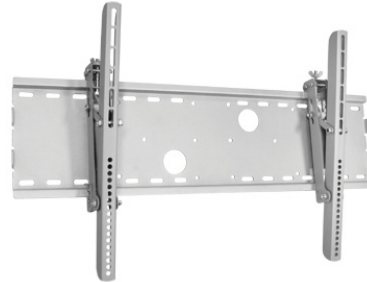
Measurements:

A: 20.1" (510mm)
B: 2.96" - 13" (75 - 330mm)

CT-PLB-14 Wall Mount For Plasma Or LCD Television/Monitor

Specifications:

- Max. loading capacity: 75kg / 165lbs
- Universal inclinable wall support for large plasma and LCD TVs
- Modern streamlined design
- Ideal for 30" to 63" plasma TV
- 0° to 15° Adjustable tilt
- Color: silver



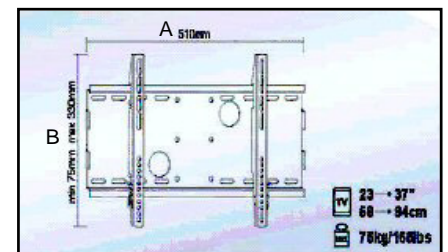
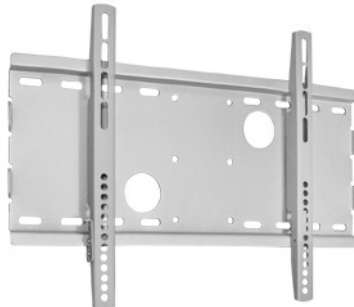
Measurements:

A: 31.5" (800mm)
B: 2.96" - 18.9" (75 - 480mm)

CT-PLB-17 Wall Mount For Plasma Or LCD Television/Monitor

Specifications:

- Universal wall bracket for 23"-37" plasma/LCD with movable arm systems
- Max loading capacity: 75kgs / 165lbs
- Simple design
- Hardware included
- Color: silver



Measurements:

A: 20.1" (510mm)
B: 2.96" - 13" (75 - 330mm)

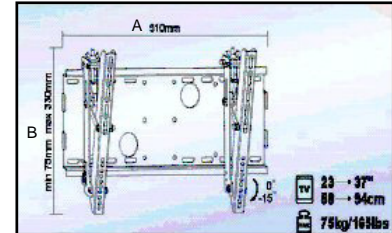
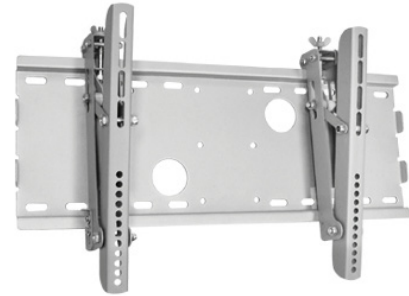


Wall Mounts For Plasma or LCD Televisions & Monitors

CT-PLB-18 Wall Mount For Plasma Or LCD Television/Monitor

Specifications:

- Universal wall bracket for 23"-37" plasma/LCD with movable arm systems
- Max loading capacity: 75kgs / 165lbs
- Simple design
- Hardware included
- Color: silver
- Tilt downwards 15 degrees



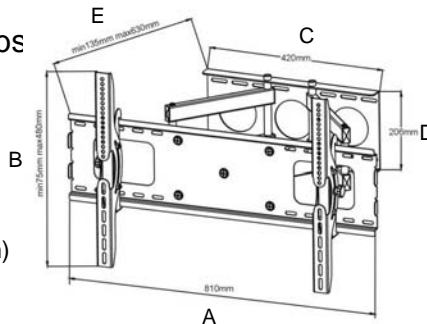
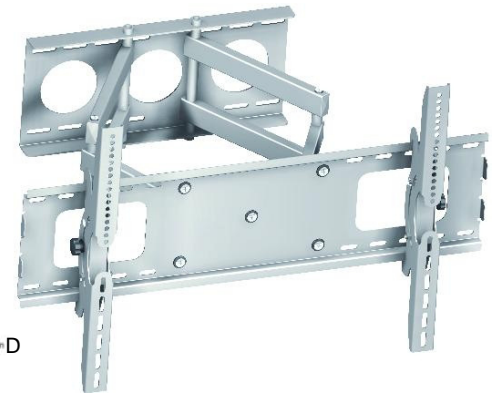
Measurements:

- A: 20.1" (510mm)
- B: 2.96" - 13" (75 - 330mm)

CT-PLB-WA3D Silver CT-PLB-WA3D-B Black Articulating Flat Panel Wall Mount

Specifications:

- Universal wall bracket for 30"-63" plasma/LCD with movable arm systems
- Max loading capacity: 75kgs / 165lbs
- Simple design
- Hardware included
- Color: silver or black



Measurements:

- A: 31.89" (810mm)
- B: 2.95" - 18.90" (75mm - 480mm)
- C: 16.5" (420mm)
- D: 8.1" (206mm)
- E: 5.3" - 24.8" (135mm - 630mm)

(Not compatible with CT-PLB-CE3 ceiling mount adapter)

CT-PLB-CE3 Ceiling Mount Adapter For PLB Series Mounts

Specifications:

- Universal ceiling bracket adapter for plasma/LCD mounts
- Max loading capacity: 80kgs / 176lbs
- Simple design
- Color: silver
- Rotates 360 degrees
- Mast adjusts from 34.28" - 61.47" (870mm - 1,560mm)

