



INSTALLATION MANUAL

CT-PLB-1

**Wall Mount for 30" to 63" Plasma or LCD
Television/Monitor**



PACKAGE CONTENTS

This package contains:

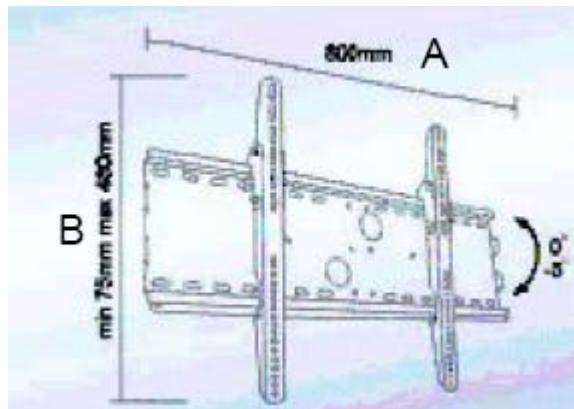
One CT-PLB-1 Wall Mount
Installation accessories (see back page for list of all parts)
Installation Manual

PRODUCT DESCRIPTION

The CT-PLB-1 is a wall mount designed to support 30" to 63" LCD or Plasma televisions/monitors with a maximum weight of 165 lbs. Made of steel and in a silver finish the CT-PLB-1L has a 0° to 5° adjustable tilt. Measurements are approximately 31.5" wide and 2.96" to 18.9" high (adjustable).

SPECIFICATIONS

The diagram below represents dimensions and articulating range of the CT-PLB-1.



INSTALLATION

NOTE TO INSTALLER

Warning: The installer of this product must verify that the mounting surface will safely support the combined weight of all attached equipment and hardware. Improper installation may cause damage or serious injury. The included hardware is for mounting on walls with wood stud or concrete / concrete block construction for a secure, stable, and reliable mounting. If you are uncertain about the nature of your wall, consult an expert. Please consult your hardware or installation professional for proper mounting to other types of walls. The supplied hardware is not for steel. North American Cable Equipment, Inc. will not be held liable for the improper use or installation of this product.

1. UNPACKING and HANDLING

Each unit is shipped with all necessary mounting hardware.

Ensure that all accessories are removed from the container before discarding packing material

2. MECHANICAL INSPECTION

Inspect the product for shipping damage. Make sure the equipment is clean and damage free. If equipment appears to be damaged or defective please contact us at 1-610-429-1511 for assistance. **Never use defective parts.**

3. INSTALLATION

Brick, Solid Concrete and Concrete Block Mounting

Use the *Wall Plate (A)* as a template to mark 6 hole locations on the wall. The outer holes must fall to left and right of the two large holes in the middle of the plate. Three in the top row slots and three more in the bottom row. Make sure these holes are level and there is at least 200mm (7.87 inches) between any two holes. Pre-drill these holes with a 10mm masonry bit to at least 60mm (2.4 inches) in depth. Insert a *Concrete Anchor (F)* into each of these holes. Pre-drill these holes with a 5mm (0.20 inch) flush with the concrete surface even if there is a layer of drywall or other material in front. Attach the *Wall Plate* using 6 *Lag Bolts (E)* and 6 *Lag Bolt Washers (D)*.

Dry Wall With Wood Studs

The *Wall Plate* (A) **MUST be mounted to two wood studs**. Use a high quality stud sensor to locate two adjacent studs. It is a good idea to verify where the studs are located with an awl or thin nail shown in diagram 1-A below. Pre-drill a 3mm (0.12 inch) deep hole at the desired height in each stud using a 4mm drill bit. Make sure these holes are level. Use the *Wall Plate* as a template to mark the location of the second hole in each stud. Pre-drill two holes using the 4mm drill bit as well. Attach the *Wall Plate* to the wall using 4 *Lag Bolts* (E). Make sure the *Wall Plate* is oriented so the flat surface in the center of the plate is against the wall shown in diagram 1-B.

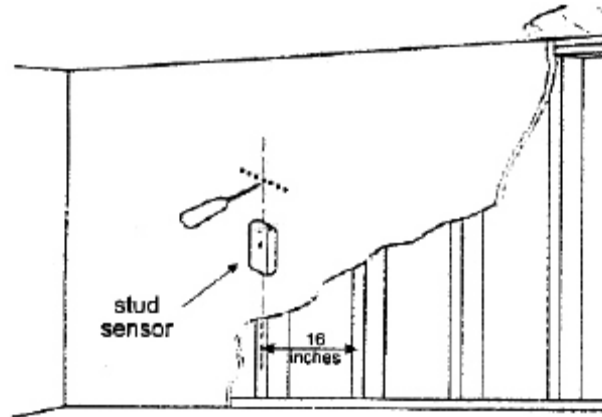


Diagram 1-A

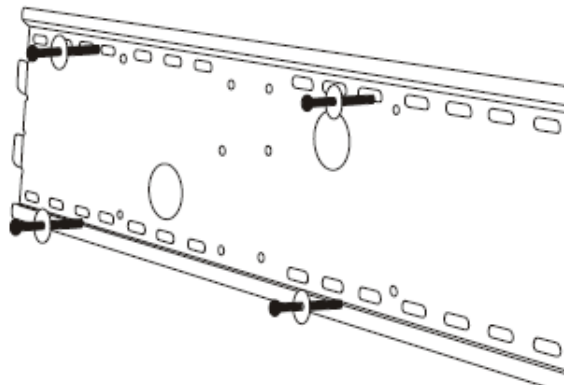
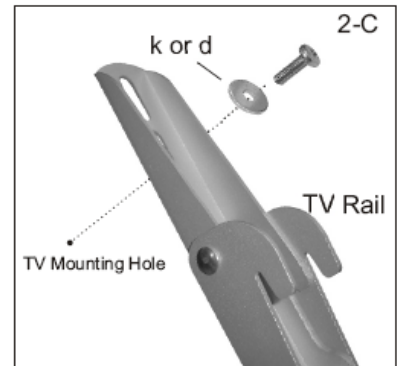
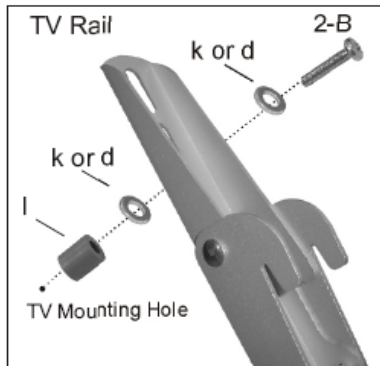
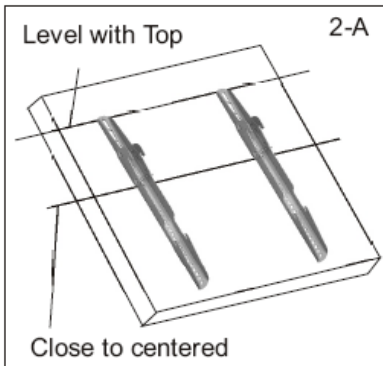


Diagram 1-B

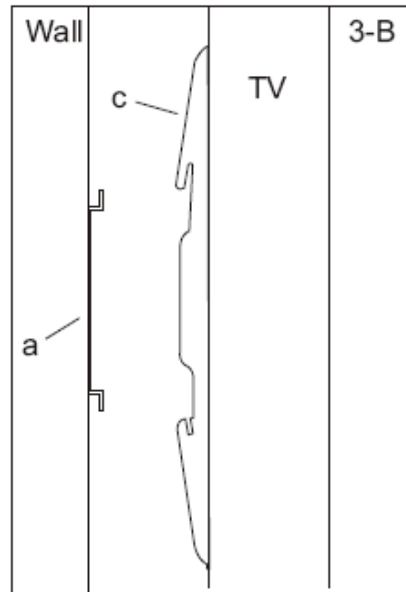
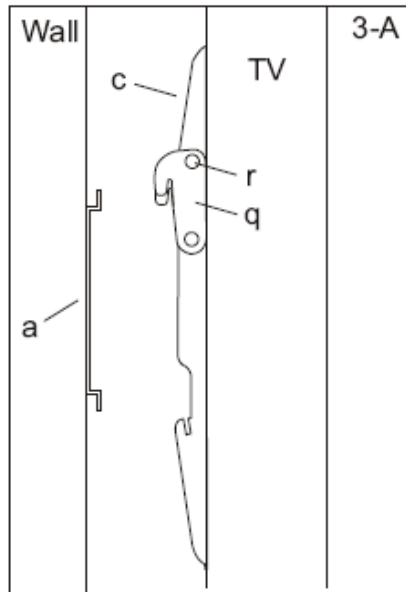
Mount TV Rails To The Back of Your Flat Panel TV/Monitor

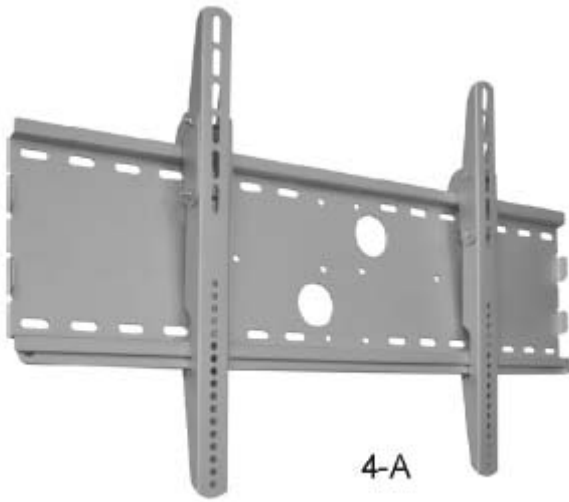
Make sure the *TV Rails* (B and C) are mounted at an equal distance from the top of the TV/monitor, and close to the center as possible as shown in diagram 2-A below. Knobs should face the outside of the television. M4, M5, M6, and M8 bolts are provided. Other sizes are available at your local hardware store. *Plastic Spacers* (I) are provided for use with M4, M5, M6, and M8 bolts. TV mount bolts on TVs with curved or recessed back panels as shown in diagram 2-B. If you are mounting to a television/monitor with a flat back you will not need a plastic spacer as shown in diagram 2-C. **Make sure these bolts are right!** Some televisions and monitors have shallow threaded inserts. We have provided 4 extra washers you may use to offset this if the provided bolts are too long.



Hang the TV Onto The Wall Plate

Assemble the four hooks onto the left and right *TV Rails* as shown in diagram 3-A. Then hook the *TV Rails* over the top of the *Wall Plate*. If you need the TV/monitor parallel with the wall you could hook the *TV Rails* without the extra hooks over the top of the *Wall Plate* as shown in diagram 3-B. Insert the *Safety Bar* (G) into the gap at the bottom of the *TV Rails* and add a lock as shown in diagram 4-B





4-A



4-B

Diagram 4-A: Front View of assembled mount

Diagram 4-B: Safety Bar with lock

For assistance contact Cabletronix sales engineers at 1-610-429-1511.

SUPPLIED PARTS

