



INSTALLATION MANUAL

CT-LCD-404A

Ceiling Mount for 10" to 30" LCD Television



PACKAGE CONTENTS

This package contains:

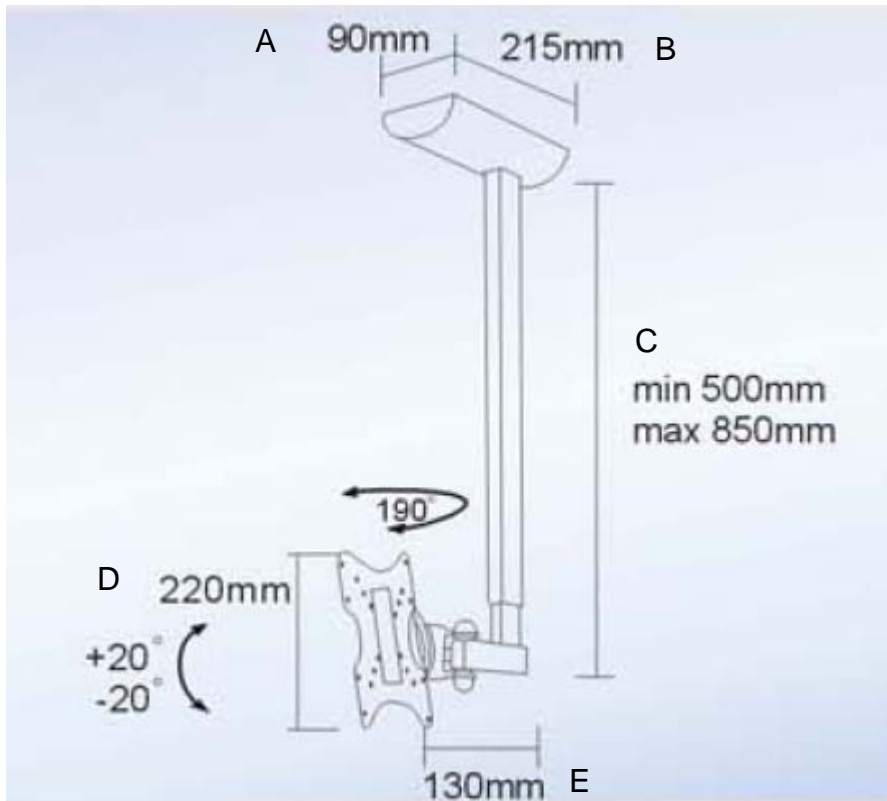
- One CT-LCD-404A Wall Mount
- Installation accessories
- Installation Manual

PRODUCT DESCRIPTION

The CT-LCD-404A is a ceiling mount designed to support 10" to 30" LCD televisions with a maximum weight of 44 lbs. The LCD-404A is made of steel and comes in three finishes: CT-LCD-404A-B (black), CT-LCD-404A-S (sliver), and CT-LCD-404A-W (white). The unit swivels left and right up to 190 degrees, and can be tilted up or down up to 20 degrees. Mast extends from 19.7" to 33.5". VESA® standard 50mm/75mm/100mm/200mm/200mmx100mm LCD monitors and televisions are supported.

SPECIFICATIONS

The diagram below represents dimensions and articulating range of the CT-LCD-404A.



A: 3.5" (90mm)
B: 8.5" (215mm)
C: 19.7" – 33.5" (500 -850mm)
D: 8.6" (220mm)
E: 5.1" (130mm)

INSTALLATION

NOTE TO INSTALLER

Warning: The installer of this product must verify that the mounting surface will safely support the combined weight of all attached equipment and hardware. This product must be mounted on wall studs or concrete for a secure, stable, and reliable mounting. North American Cable Equipment, Inc. will not be held liable for the improper use or installation of this product.

1. UNPACKING and HANDLING

Each unit is shipped with all necessary mounting hardware.

Ensure that all accessories are removed from the container before discarding packing material

2. MECHANICAL INSPECTION

Inspect the product for shipping damage. Make sure the equipment is clean and damage free. If equipment appears to be damaged or defective please contact us at 1-610-429-1511 for assistance.

3. INSTALLATION

- a. Predetermine the best possible viewing location for the monitor.
- b. Attach the LCD ceiling mount to a joist or beam in the ceiling with the appropriate hardware. The ceiling mount **MUST** be attached to a joist or beam. Lag screws have been included for wood stud installation.
- c. Multiple VESA® patterns can be supported by aligning the LCD monitor/TV with the correct holes on the wall plate. Attach the LCD monitor/TV with the screws appropriate for you unit.
- d. Wrap loose cords using cable ties. However, be sure to provide sufficient slack for the full movement of the monitor/TV.
- e. For assistance contact Cabletronix sales engineers at 1-610-429-1511.