



# INSTALLATION MANUAL

## **CT-LCD-302/B/S** **Swivel/Tilt Wall Mount** **for 10” to 30” LCD Television**



## PACKAGE CONTENTS

This package contains:

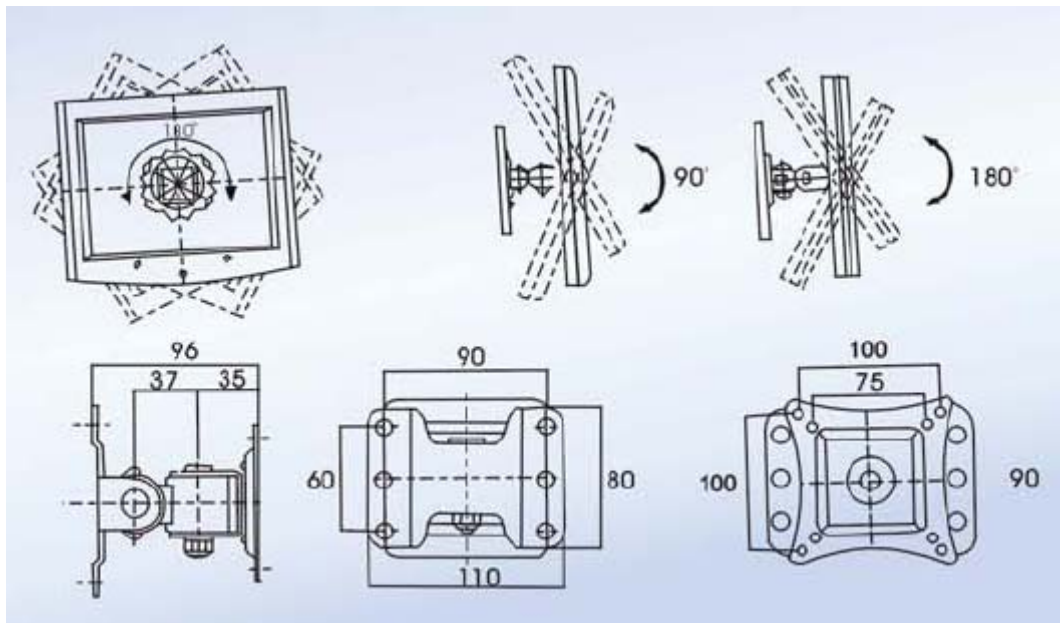
- One CT-LCD-302 Wall Mount
- Installation accessories
- Installation Manual

## PRODUCT DESCRIPTION

The CT-LCD-302 is a swivel/tilt wall mount designed to support 10" to 30" LCD televisions with a maximum weight of 33 lbs. The LCD-302 comes in two finishes: CT-LCD-302-B (black) and CT-LCD-302-S (silver). The CT-LCD-302 is made of steel, swivels left and right up to 180 degrees, and can be tilted up or down up to 90 degrees. VESA® standard 75mm x75mm and 100mm x 100mm LCD monitors and televisions are supported.

## SPECIFICATIONS

The diagram below represents dimensions and articulating range of the CT-LCD-302.



# INSTALLATION

## NOTE TO INSTALLER

**Warning:** The installer of this product must verify that the mounting surface will safely support the combined weight of all attached equipment and hardware. This product must be mounted on wall studs or concrete for a secure, stable, and reliable mounting. North American Cable Equipment, Inc. will not be held liable for the improper use or installation of this product.

### 1. UNPACKING and HANDLING

Each unit is shipped with all necessary mounting hardware.

Ensure that all accessories are removed from the container before discarding packing material

### 2. MECHANICAL INSPECTION

Inspect the product for shipping damage. Make sure the equipment is clean and damage free. If equipment appears to be damaged or defective please contact us at 1-610-429-1511 for assistance.

### 3. INSTALLATION

- a. Predetermine the best possible viewing location for the monitor.
- b. Attach the LCD wall plate to studs in the wall using with the appropriate hardware. The wall plate **MUST** be attached to the studs. Lag screws have been included for wood stud installation.
- c. For VESA® 75mm pattern installation use the 4 inner holes on the wall plate (see figure). Attach the LCD monitor/TV with the screws appropriate for you unit.
- d. For VESA® 100mm pattern installation use the 4 outer holes on the wall plate (see figure) Attach the LCD monitor/TV with the screws appropriate for your unit.
- e. Wrap loose cords using cable ties. However, be sure to provide sufficient slack for the full movement of the monitor/TV.
- f. For assistance contact Cabletronix sales engineers at 1-610-429-1511.