



INSTALLATION MANUAL

CT-LCD-201 Flush Quick Wall Mount for LCD Television/Monitor



PACKAGE CONTENTS

This package contains:

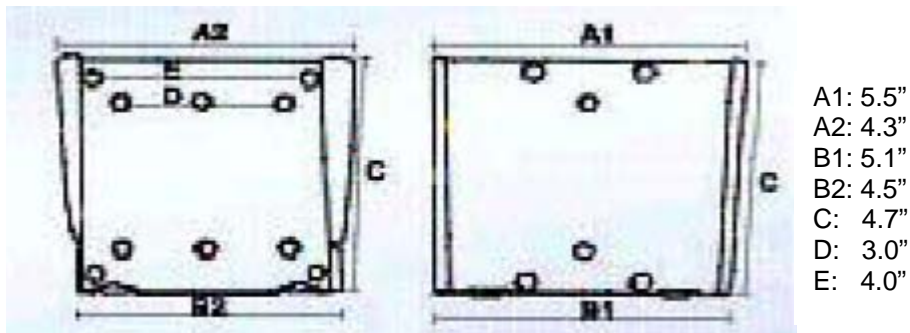
One CT-LCD-201 Flush Quick Wall Mount
Installation accessories
Installation Manual

PRODUCT DESCRIPTION

The CT-LCD-201 is a 2-piece flush wall mount designed to support small to medium sized LCD televisions or monitors with a maximum weight of 66 lbs. The LCD-201 is made of steel and intended for mounting on walls with wood studs. VESA® standard 75mm x 75mm and 100mm x 100mm displays are supported.

SPECIFICATIONS

The diagram below represents the CT-201's dimensions:



INSTALLATION

NOTE TO INSTALLER

Warning: The installer of this product must verify that the mounting surface will safely support the combined weight of all attached equipment and hardware. This product must be mounted on wall studs or concrete for a secure, stable, and reliable mounting. North American Cable Equipment, Inc. will not be held liable for the improper use or installation of this product.

1. UNPACKING and HANDLING

Each unit is shipped with all necessary mounting hardware.

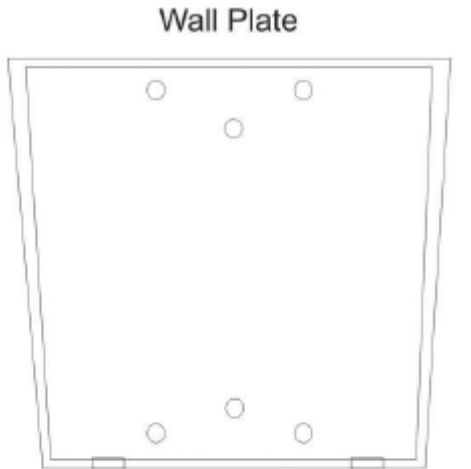
Ensure that all accessories are removed from the container before discarding packing material

2. MECHANICAL INSPECTION

Inspect the product for shipping damage. Make sure the equipment is clean and damage free. If equipment appears to be damaged or defective please contact us at 1-610-429-1511 for assistance. **Do not use defective components.**

3. INSTALLATION

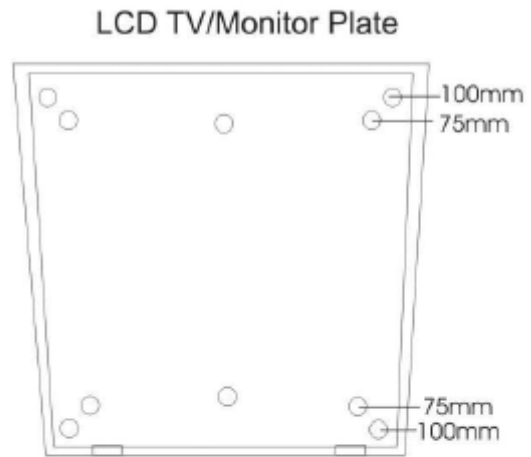
- a. Predetermine the best possible viewing location for the monitor.
- b. Attach the LCD wall plate to studs in the wall using with the appropriate hardware. The wall plate **MUST** be attached to the studs. Screws have been included for wood stud installation.



Use the 2¼" wood screws,
mount the wall plate to wall stud
or use enclosed sheet rock mollies



Note: Bracket is intended
for use on LCD monitors up to 66 lbs

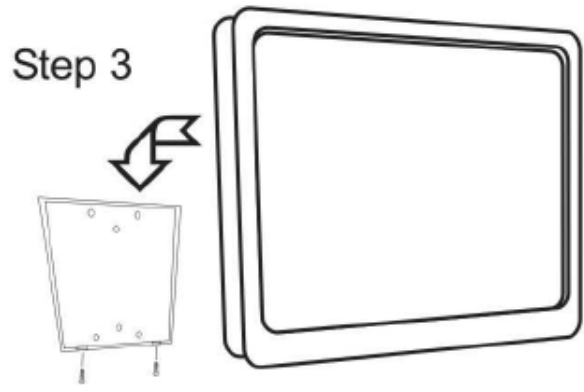
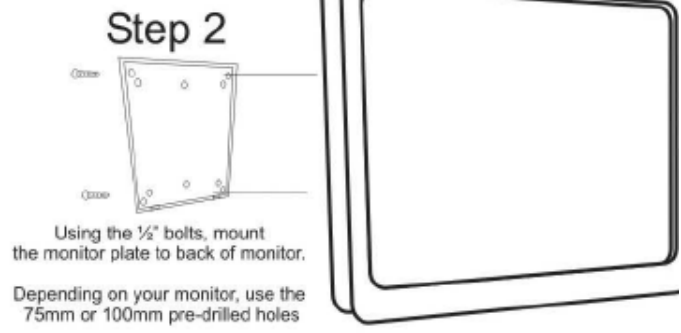
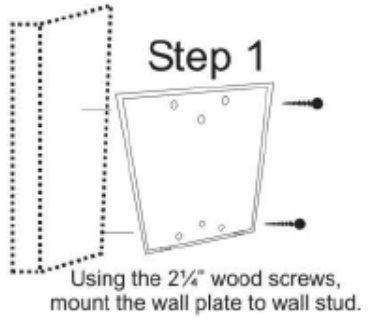


Use the ½" bolts, mount
the monitor plate to back of monitor.
(Note corners holes to accomodate
both 75mm or 100mm VESA systems)



Use the ¼" bolts to lock and secure
your monitor in place





Simply slip your monitor onto your wall mount, and secure with 1/4" locking bolts from below, and you are finished! Enjoy!

For assistance contact Cabletronix sales engineers at 1-610-429-1511.