



INSTALLATION MANUAL

CT-LCD-101/B/S/W **Extending Wall Mount** **for 10" to 30" LCD Television**



PACKAGE CONTENTS

This package contains:

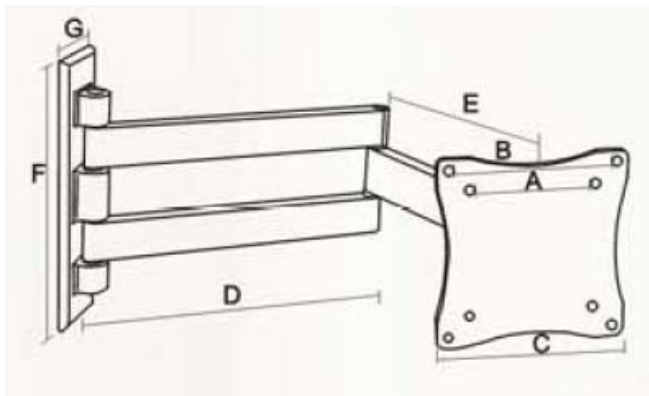
- One CT-LCD-101 Wall Mount
- VESA® 75mm x 75mm plate (attached to the wall mount)
- VESA® 100mm x 100mm plate
- Installation accessories
- Installation Manual

PRODUCT DESCRIPTION

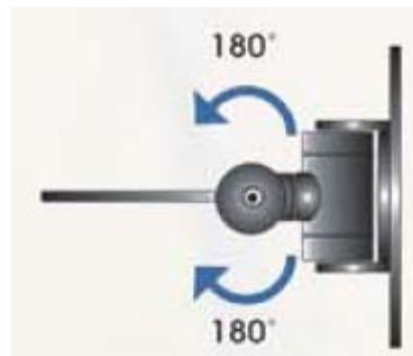
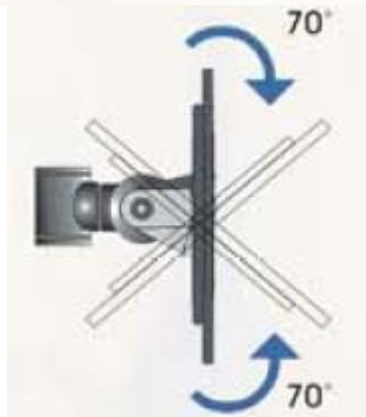
The CT-LCD-101 is an extending, articulating arm wall mount designed to support 10" to 30" LCD televisions with a maximum weight of 33 lbs. The LCD-101 comes in three finishes: CT-LCD-101-B (black), CT-LCD-101-S (silver), and CT-LCD-101-W (white). The CT-LCD-101 is made of aluminum, swivels left and right up to 180 degrees, and can be tilted up or down up to 70 degrees.

SPECIFICATIONS

The diagram below represents dimensions and articulating range of the CT-LCD-101.



- A=75mm(3")
- B=100mm(4")
- C=114mm(4.5")
- D=205mm(8")
- E=150mm(5.9")
- F=170mm(6.7")
- G=45mm(1.8")



INSTALLATION

NOTE TO INSTALLER

Warning: The installer of this product must verify that the mounting surface will safely support the combined weight of all attached equipment and hardware. This product must be mounted on wall studs or concrete for a secure, stable, and reliable mounting. North American Cable Equipment, Inc. will not be held liable for the improper use or installation of this product.

1. UNPACKING and HANDLING

Each unit is shipped with all necessary mounting hardware.

Ensure that all accessories are removed from the container before discarding packing material

2. MECHANICAL INSPECTION

Inspect the product for shipping damage. Make sure the equipment is clean and damage free. If equipment appears to be damaged or defective please contact us at 1-610-429-1511 for assistance.

3. INSTALLATION

- a. Predetermine the best possible viewing location for the monitor.
- b. Attach the LCD wall plate to studs in the wall using with the appropriate hardware. The wall plate **MUST** be attached to the studs. Lag screws have been included for wood stud installation.
- c. For VESA® 75mm pattern installation set aside the 100mm plate and the #10-24 acorn nuts. Attach the 75mm plate to the LCD with screws appropriate for your monitor/TV. M4 x 12mm x .7P have been provided.
- d. For VESA® 100mm pattern installation attach the 100mm plate to the 75mm plate with four #10-24 acorn nuts. Attach the 100mm plate to the LCD monitor/TV with screws appropriate to your monitor. M4 x 12mm x .7P have been provided.
- e. Wrap loose cords using cable ties. However, be sure to provide sufficient slack for the full movement of arms.
- f. For assistance contact Cabletronix sales engineers at 1-610-429-1511.