

CTDM-860 Agile Audio/Video Demodulator

Product Description

The CTDM-860 is a professional quality *fully agile* micro demodulator providing an audio and video output from any CATV channel from 2 to 135 in NTSC Standard, HRC or IRC, or any Off-Air channel from 2 to 69 in the 54 to 860 MHz frequency range.

The CTDM-860 employs highly stable synthesized frequency control. Setup and tuning is easy and straightforward taking advantage of the unit's front panel access to all level controls and indicators. Non-volatile memory is used to maintain channel selection in event of power loss.

Application

Designed for commercial grade headend systems, the CTDM-860 provides cable operators the engineering ease and flexibility associated with new headend deployments, existing headend upgrades, and system maintenance. These fully agile demodulators allow the rapid creation of channel lineups and faster channel reassignments by selecting a specific channel and demodulating the carrier with baseband audio and video delivered as outputs for later remodulation. As a fully agile device the CTDM-860 permits quicker replacement of failed demodulators over traditional fixed frequency equipment. Just as important, the CTDM-860's agility directly improves the operator's bottom line by not requiring an inventory of fixed frequency spares necessary for on-going headend maintenance.

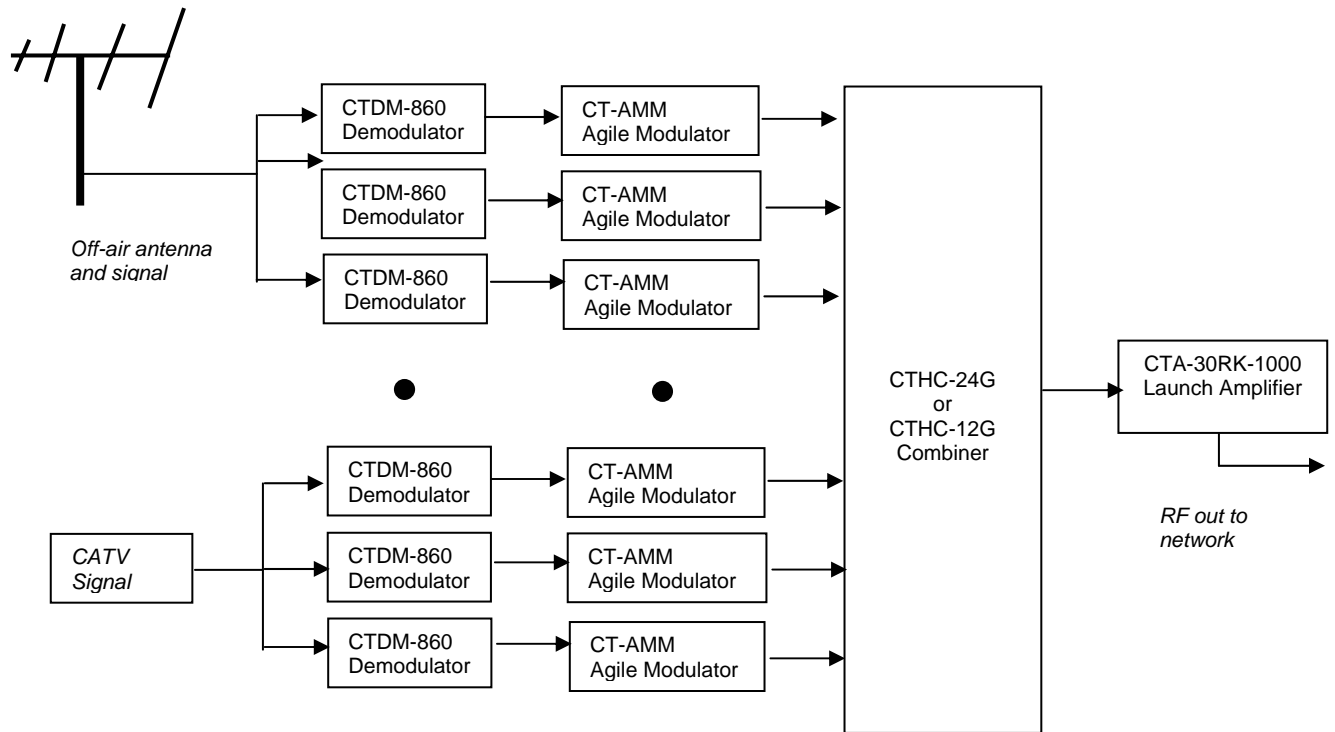


Features and Benefits

- Full frequency agility at fixed channel prices means greater flexibility at less cost
- Input frequency of 54 to 860 MHz supports all CATV channels 2 to 135 in NTSC Standard, HRC or IRC and Off-Air channels 2 to 69
- Rapid headend design and deployment
- Reduced costs associated with maintaining inventory of spare fixed frequency demodulators
- Reduced headend down time associated with the search and procurement of a specific fixed frequency demodulator if not held in inventory
- Front panel access to all level controls and indicators
- Non-volatile memory to maintain channel selection
- Use with Cabletronix CTPS-12 power supply and CTRC-12 rack chassis or with 3rd party power supplies and/or chassis depending upon configuration
- 1 year warranty
- 3 year extended warranty available

Specifications

RF	Input Frequency	54~ 860 MHz. CATV Channels 2 to 135 Supports NTSC Standard, HRC & IRC Off-air Channels 2 to 69
	Input Level Range	-15 to +15 dBmV
	Input Impedance	75 Ohms
	Noise Figure	8 - 11 dB
	Image Rejection VHF	65 dB
	Image Rejection UHF	50 dB
	Connector	"F" type, female
Video	Output Level	0.8 to 1 V p-p
	Frequency Response	+1.2 dB @ 25 Hz to 4 MHz
	Differential Gain	<5%
	Differential Phase	<5 degrees
	Output Impedance	75 Ohms
	Connector	"F" type, female
Audio	Output Level	0.5 volts RMS
	Frequency Response	1.5 dB (50Hz to 15 KHz)
	S/N Ratio	>55 dB
	Output Impedance	600 Ohms
	Connector	RCA Phone, female
General	DC Power Input	5V (400mA), 12V (150mA)
	Weight	15.2 oz.
	Dimensions	1" W x 3.5" H x 9"D
	Operating Temperature Range	32° F to 122°F



The CTDM-860 frequency agile demodulator is regulatory compliant and FCC approved. All product specifications are accurate at time of printing, but are subject to change.

Products are warranted for one year. Warranty can be extended to three years. Contact a North American Cable Equipment, Inc. sales engineer for details.