



CTADM-806

Rack Mount

Agile Audio/Video Demodulator

Product Description

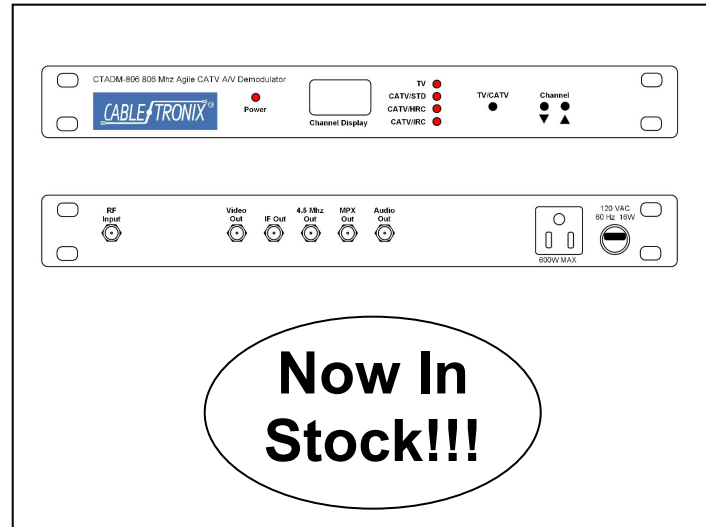
The CTADM-806 is a professional quality *fully agile* 19" rack mountable demodulator providing an audio and video output from any CATV channel from 2 to 125, or any Off-Air channel from 2 to 69 in the 54 to 806 MHz frequency range.

The CTADM-806 employs highly stable synthesized frequency control. Setup and tuning is easy and straightforward taking advantage of the unit's front panel access to all level controls and indicators. Non-volatile memory is used to maintain channel selection in event of power loss.

Application

Designed for commercial grade headend systems, the CTADM-806 provides cable operators the engineering ease and flexibility associated with new headend deployments, existing headend upgrades, and system maintenance. These fully agile demodulators allow the rapid creation of channel lineups and faster channel reassignments by selecting a specific channel and demodulating the carrier with baseband audio and video delivered as outputs for later remodulation. As a fully agile device the CTADM-806 permits quicker replacement of failed demodulators over traditional fixed frequency equipment. Just as important, the CTADM-806's agility directly improves the operator's bottom line by not requiring an inventory of fixed frequency spares necessary for on-going headend maintenance.

Call For Pricing On This Product With International Video Standards.



Now In Stock!!!

Features and Benefits

- Full frequency agility at fixed channel prices means greater flexibility at less cost
- Input frequency of 54 to 806 MHz supports all CATV channels 2 to 125 and Off-Air channels 2 to 69
- Rapid headend design and deployment
- Reduced costs associated with maintaining inventory of spare fixed frequency demodulators
- Reduced headend down time associated with the search and procurement of a specific fixed frequency demodulator if not held in inventory
- Front panel access to all level controls and indicators
- Non-volatile memory to maintain channel selection
- Excellent value
- 1 year warranty
- 3 year extended warranty available

Email: sales@cabletronix.com

Web: www.cabletronix.com

CTADM-806

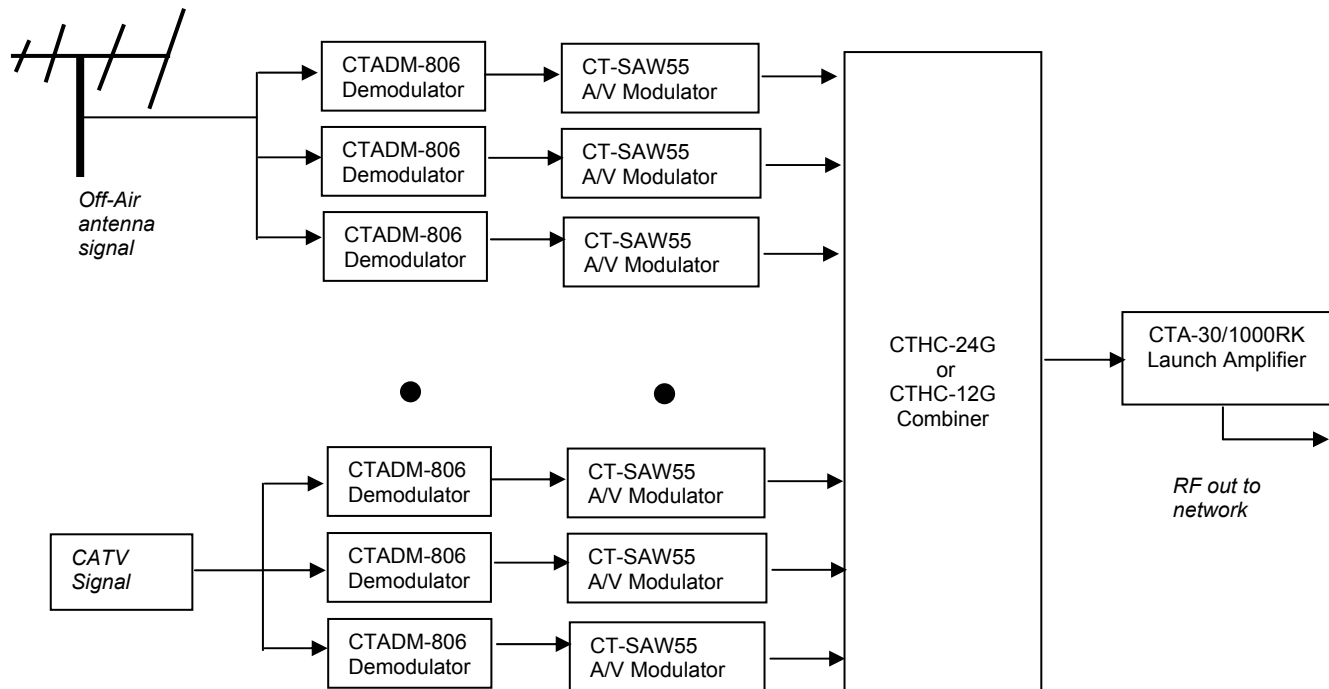
Rack Mount

Agile Audio/Video Demodulator

Specifications

RF	Input Frequency	54~ 806 MHz. CATV Channels 2 to 125 Off-air Channels 2 to 69
	Input Level Range	-5 to +30 dBmV
	Input Impedance Connector	75 Ohms "F" type, female
Video	Output Level	1 V p-p (adjustable)
	Output Impedance	75 Ohms
	Connector	"F" type, female
Audio	Output Level	1V p-p (adjustable)
	Output Impedance	600 Ohms
	Connector	"F" type, female
General	DC Power Input	110VAC, 60 Hz
	Weight	3 lb. 5 oz.
	Dimensions	19" W x 1.75" H x 3.8" D
	Operating Temperature Range	32°F to 122°F

Sample Configuration



All product specifications are accurate at time of printing, but are subject to change.

Products are warranted for one year. Warranty can be extended to three years. Contact a sales engineer for details.