

1 GHz Multi-Media Drop Amplifiers



CT-BDA24



CTHDA-1P



CTHDA-2P

Features:

- For use in CATV systems that require two way multi media networking
- Low noise
- High isolation between ports
- ESD Protection and zinc die cast housing prevent RFI
- 6KV Surge protection on all ports
- Perfect for digital cable applications
- Remotely powered over coax
- Line powered through RF port or externally powered through power in port
- CT-BDA24 Model has an adjustable gain control & a switcheable FM trap

Ordering Information:

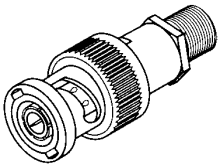
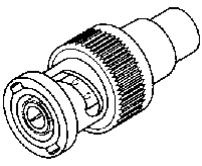
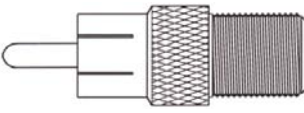
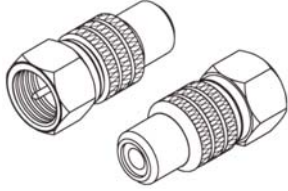
- CTHDA-1P Single input, single output, 15 dB forward gain, passive return
 CTHDA-2P Single input, two outputs, 10 dB forward gain, passive return
 CTHDA-1A Single input, single output, 15 dB forward gain, 10 dB reverse gain
 CT-BDA24 Single input, single output, 24 dB forward gain, 12 dB reverse gain with adjustable gain control & switcheable FM trap

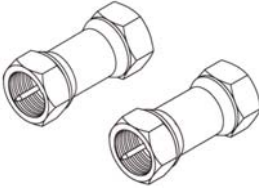

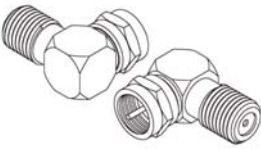
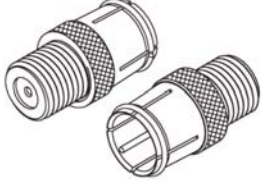
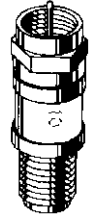


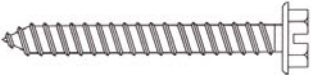
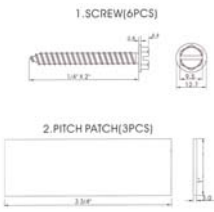
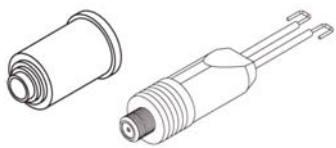
	CTHDA-1P	CTHDA-2P	CTHDA-1A	CT-BDA24
Forward Path	54-1,000 MHz	54-1,000 MHz	54-1,000 MHz	54-1,000 MHz
Reverse Path	5-42 MHz	5-42 MHz	5-42 MHz	5-42 MHz
Forward Gain	15.0 dB	10 dB	15 dB	24 dB
Reverse Gain (Loss)	-1.0 dB	-5 dB	10 dB	12 dB
Isolation (out-out)	N/A	18 dB Minimum	N/A	NA
Noise Figure	3 dB Typical, 4 dB Max	3 dB Typical, 4 dB Max	3 dB Typical, 4 dB Max	3 dB Typical, 4 dB Max
Return Loss (In-out)	18 dB Typical	18 dB Typical	18 dB Typical	20 dB Typical, 18 dB Minimum
Power Supply Voltage	12VDC, 200mA	12VDC, 200mA	12 VDC, 300 mA	12 VDC, 200 mA
Surge Protection (All ports)	6KV	6KV	6KV	6KV
Connections	F Type Female	F Type Female	F Type Female	F Type Female
Impedance	75 Ohm	75 Ohm	75 Ohm	75 Ohm
Operating Temperature	-40°C to + 60°C	-40°C to + 60°C	-40°C to + 60°C	-40°C to + 60°C

Email: sales@cabletronix.com

Web: www.cabletronix.com

 <p>BFA F Female to BNC Male Adapter</p>	 <p>RCATOBNC RCA Female to BNC Male Adapter</p>	 <p>FF-R F Female to RCA Male Adapter</p>	 <p>RCA-F RCA Female to F Male Adapter</p>
--	---	--	--

 <p>F-71 F Male to F Male 1 GHz In Line Splice</p>	 <p>F-81 F Female to F Female 1 GHz In Line Splice</p>	 <p>F-90 F Female to F Male 90 Degree Adapter</p>	 <p>PF-59 F Style Push On Adapter</p>	 <p>FAM-3 3 dB FAM-6 6 dB FAM-8 8 dB FAM-10 10 dB FAM-12 12 dB FAM-16 16 dB FAM-20 20 dB</p> <p>F Style Attenuator Pads</p>
--	--	---	--	---

<h3>Lag Screws</h3>  <table border="1"> <thead> <tr> <th>Part #</th> <th>Diam.</th> <th>Length</th> <th>Head</th> </tr> </thead> <tbody> <tr> <td>LAG5-2</td> <td>5/16"</td> <td>2"</td> <td>7/16" Washer Head</td> </tr> <tr> <td>LAG5-2.5</td> <td>5/16"</td> <td>2.5"</td> <td>7/16" Washer Head</td> </tr> <tr> <td>LAG55-2</td> <td>5/16"</td> <td>2"</td> <td>1/2" Head</td> </tr> <tr> <td>LAG55-2.5</td> <td>5/16"</td> <td>2.5"</td> <td>1/2" Head</td> </tr> </tbody> </table>	Part #	Diam.	Length	Head	LAG5-2	5/16"	2"	7/16" Washer Head	LAG5-2.5	5/16"	2.5"	7/16" Washer Head	LAG55-2	5/16"	2"	1/2" Head	LAG55-2.5	5/16"	2.5"	1/2" Head	 <p>1. SCREW(6PCS) 2. PITCH PATCH(3PCS)</p> <p>CT-PPK Pitch Pad Kits, 6 Lag Screws 3 Pitch Pads</p>	 <p>OB-3 Outdoor Balun, 75 Ohm to 300 Ohm Transformer</p>
Part #	Diam.	Length	Head																			
LAG5-2	5/16"	2"	7/16" Washer Head																			
LAG5-2.5	5/16"	2.5"	7/16" Washer Head																			
LAG55-2	5/16"	2"	1/2" Head																			
LAG55-2.5	5/16"	2.5"	1/2" Head																			

CT-HDA-1P 15 dB Amplifier With Passive Return

Features:


- 15 dB Gain forward
- Passive return path
- 54-1,000 MHz forward
- 5-42 MHz return
- Remotely powered over coax
- Perfect for digital cable applications
- Line powered through RF port or externally powered through power in port






CTA-25


Cabletronix 25 dB Gain Distribution Amplifier



- UHF/VHF/FM
- 25 dB Gain
- Economical
- Flatness: 7 dB +/- 1 dB
- Low Noise Figure: 5 dB
- Front Panel LED Power Indicator
- Switchable FM Trap (20 dB depth)

CTA-30A

Cabletronix 30 dB Gain Distribution Amplifier



- 54-1000 MHz
- 30 dB Gain
- Low Noise Figure: 4 dB
- Input Capability 15-23 dB
- Adjustable Gain (8 dB range)
- Switchable FM Trap (25 dB depth)
- Uses IC Amplifiers for Greater Reliability
- High Output Capability (45 dB max, 7 chs.)
- Flat Frequency Response to 1 GHz (+/- 1 dB)

Email: sales@cabletronix.com

Web: www.cabletronix.com