



...competitive technologies with compelling value

CT-FSAM550 Agile Commercial Modulator



Modulator Description

The CT-FSAM550 is a frequency agile commercial audio and video RF modulator with SAW filtering and a microprocessor controlled output. It has a 550 MHz output capability covering channels 2-78 & 95-99 in the CATV band. It's video dynamic range insures 87.5% modulation depth over a wide video input range. The vestigial sideband selectivity allows maintenance free adjacent channel configuration. An efficient power supply enables cool and stable operation. The unit offers high performance, low cost and compact design. The unit is backed by a two year limited warranty.

The CT-FSAM550 is a professional quality frequency agile 19" rack mounted modulator providing an audio and video modulated RF carrier for any single channel in the CATV 550 MHz range. Any standard audio/video source can be used, including satellite receivers, demodulators, VCRs, laser/DVD players, and TV/security cameras.

The CT-FSAM550 employs highly stable synthesized frequency control. Multi stage bandpass filtering is precision tuned for maximum benefit and adjacent channel operation. Setup and tuning is easy and straightforward taking advantage of the unit's front panel access to all level controls and indicators. Channel frequency information with FCC offsets is programmed into each unit at the factory.

The CT-FSAM550 meets or exceeds government regulatory requirements, including FCC group delay pre-distortion for color transmission, and FCC Docket 21006 aeronautical offset requirements.

Application

Designed for commercial grade headend systems, the CT-FSAM550 provides system operators the engineering ease and flexibility associated with new headend deployments, existing headend upgrades, and system maintenance.

Features and Benefits

- +60 dBmV RF output level
- Microprocessor control
- 550 MHz Output capability (CATV 2-78 & 95-99)
- SAW Filtering for maintenance free adjacent channel configuration
- Spurious output -60 dBc
- Double I.F. loop; separate audio & video
- BTSC Composite (MPX) stereo capability
- BTSC 4.5 MHz stereo capability
- Supports HRC & IRC frequency offsets
- Auxiliary AC outlet
- Cool operation
- Excellent value for your investment dollar
- 2 Year limited warranty. Warranty can be extended to 3 years

**Call For Pricing On This Product With
International Video Standards.**

Email: sales@cabletronix.com

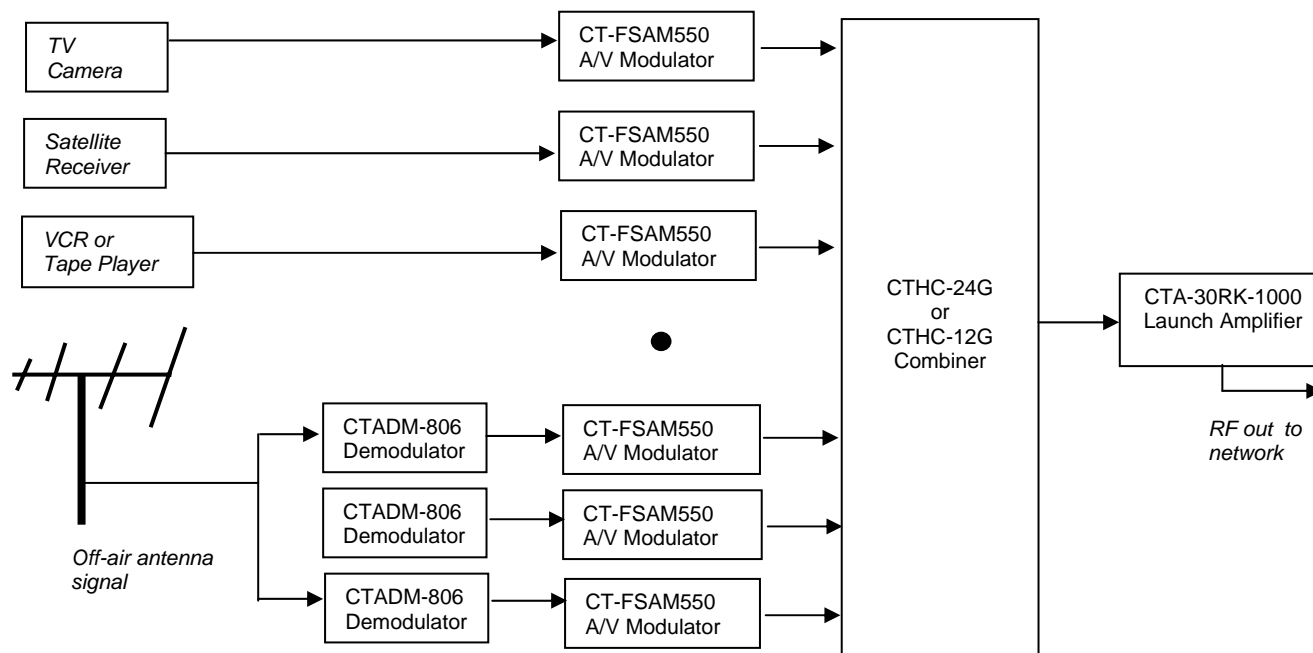
Web: www.cabletronix.com

CT-FSAM550

Agile Commercial Modulator

Specifications

RF	Output Frequency	CATV Channels 2 to 78 & 95-99 (54-550 MHz)
	Output Level	+60 dBmV minimum
	Spurious Output	-60 dB below video carrier with A/V ratio @ -15 dB
	C/N Ratio	>60 dB in band, >65 dB out of band
	Hum and Noise	-60 dB min. @ 87.5% modulation
	Frequency Accuracy	±5 kHz in aeronautical band
	Output Impedance	75 Ohms
	Output Return Loss	15 dB
	A/V Ratio	Adjustable -7 to -22 dB
	Fv+6 MHz (upper adj-reject)	>60 dBc
	Fv-1.5 MHz (lower adj-reject)	>60 dBc
	I.F. Frequency Video	45.75 MHz
	I.F. Frequency Audio	41.25 MHz
	Video	Input Level
Input Type		Clamped video neg. sync
Video Signal-to-Noise Ratio		-60 dB minimum (weighted)
Differential Gain		<5.0 % (10 to 90% APL)
Differential Phase		5° (10 to 90% APL)
Group Delay Response		meets FCC group delay pre-distortion requirements for color transmission
Audio	Input Level	0.5 V p-p for 25 KHz Peak Deviation
	Input Impedance	600 ohms unbalanced
	Flatness Left Audio	1.5 dB max. 50Hz to 15KHz
	Flatness Right Audio	1.5 dB max. 50Hz to 15KHz
	Pre-Emphasis	75 microseconds
General	Power Requirement	120 VAC, 60 Hz
	Dimensions	19" W x 9 3/8" D x 1.75" H
	Weight	8 Lbs.
	Operating Temperature Range	-10°C to 50°C
	Connectors RF, Video & I.F.	"F" Type
Connectors Audio	RCA	



The CT-FSAM550 audio / video modulators are regulatory compliant. All product specifications are accurate at time of printing, but are subject to change.

The CT-FSAM550 carries a 2 year limited warranty. The Warranty can be extended to three years. Contact a sales engineer for details.

Email: sales@cabletronix.com

Web: www.cabletronix.com