

CT-AMM-SVIDEO-3.5MM

Agile Micro Modulator With S-Video & 3.5mm Audio Inputs

Product Description

The CT-AMM is a professional quality fully agile micro modulator providing an audio and video modulated RF carrier from 54-806 MHz on any CATV channel from 2 to 125, and any off-air channel from 2 to 69. Any standard video source can be used, including satellite receivers, digital off-air tuners, demodulators, VCRs, Laser/DVD Players and TV/security cameras.

The CT-AMM employs highly stable synthesized frequency control. Setup and tuning is easy and straightforward taking advantage of the unit's front panel access to all level controls and indicators. Channel frequency information with FCC offsets is programmed into each unit at the factory. Non-volatile memory maintains channel selection in event of power loss.

The CT-AMM meets or exceeds government regulatory requirements, including FCC group delay pre-distortion for color transmission, and FCC Docket 21006 aeronautical offset requirements.

Application

Designed for commercial grade headend systems, the CT-AMM provides cable operators the engineering ease and flexibility associated with new headend deployments, existing headend upgrades, and system maintenance. These fully agile modulators allow the rapid creation of channel lineups, faster channel reassignments, and quicker replacement of failed modulators over traditional fixed frequency devices. Just as important, the CT-AMM's full agility directly improves the operator's bottom line by not requiring an inventory of fixed frequency spares necessary for on-going headend maintenance.



Features and Benefits

- Lower phase noise, more than -60 dB
- Perfect modulator to use when viewing NTSC video on Tube, LCD and Plasma televisions
- Output frequency of 54 to 806 MHz supports all CATV and Off-Air channel assignments
- Rapid headend design and deployment
- Reduced costs associated with maintaining inventory of spare fixed frequency modulators
- Reduced headend down time associated with the search and procurement of a specific fixed frequency modulator if not held in inventory
- Excellent broadband noise performance at -78dBc
- Recessed front panel access to all level controls and indicators
- Integrated audio pre-emphasis switch
- Use with Cabletronix CTPS-12 power supply and CTRC-12 rack chassis or 3rd party power supplies and/or chassis depending upon configuration
- 1 Year warranty with a 1 year loaner guarantee
- 3 Year extended warranty available

Ordering Information:

CT-AMM-SVIDEO-3.5MM	Agile Micro Modulator with S-Video & 3.5mm audio inputs
CTRC-12	12 Unit rack chassis
CTPS-12	12 Unit power supply
CTPS-12DUAL	12 Unit power supply with redundant backup
255-155	2' 3.5mm Mono male to male patch cord
255-160	6' 3.5mm Mono male to male patch cord
255-165	10' 3.5mm Mono male to male patch cord
251-122	RCA Female to 3.5mm male mono adapter
SVHS-3	3' S-Video Cable
SVHS-6	6' S-Video Cable
SVHS-12	12' S-Video Cable

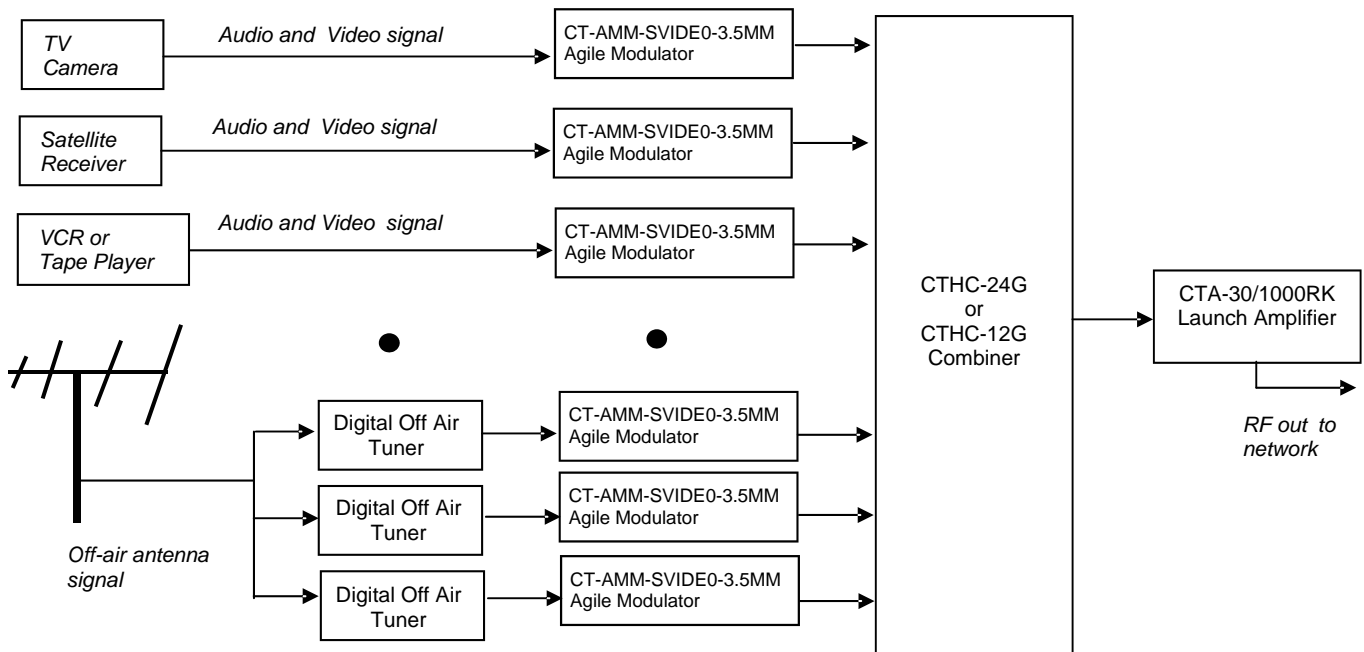
CT-AMM-SVIDEO-3.5MM

Agile Micro Modulator With S-Video & 3.5mm Audio Inputs

Specifications

RF	Output Frequency	54 ~ 806 MHz. CATV Channels 2 to 125, Off-air Channels 2 to 69
	Output Level	+50 dBmV typical, 20 dB Adjustable
	Spurious Output	> 60 dB
	C/N Ratio	60 dB typical
	Broadband Noise	-78 dBc
	Frequency Accuracy	±5 kHz
	Output Impedance	75 Ohms
	Output Return Loss	12 dB
	A/V Ratio	-18 to -12 dB (±2 dB) , Adjustable
	Video	Input Level
Input Impedance		75 Ohms
Input Return Loss		20 dB
Flatness		±1 dB,
Video Signal-to-Noise Ratio		62 dB
Differential Gain		2.0 %
Differential Phase		2°
Group Delay Response		meets FCC group delay pre-distortion requirements for color transmission
Audio	Input Level	0.35V ~1V peak to peak for 50 kHz Deviation
	Input Impedance	> 10 k Ohms
	Flatness	±1 dB, 50 Hz ~ 15 kHz
	Harmonic Distortion	<1 %, 50 Hz ~ 15 kHz
	Integrated audio pre-emphasis switch	
General	DC Power Input	5V (400 mA) , 12V (150 mA)
	Weight	14 oz.
	Dimensions	1" W x 3.5" H x 7.5" D
	Operating Temperature Range	32°F to 122°F

Sample Configuration



The CT-AMM-SVIDEO-3.5MM frequency agile modulators are regulatory compliant. All product specifications are accurate at time of printing, but are subject to change.

Products are warranted for one year. Warranty can be extended to three years. The CT-AMM-SVIDEO-3.5MM is backed by a one-year loaner guarantee. Contact a sales engineer for details.

Email: sales@cabletronix.com

Web: www.cabletronix.com