

## CT-AHP Agile Heterodyne Processor

### Product Description

The CT-AHP is a commercial quality *fully agile* heterodyne processor capable of converting any channel in the 54 to 806 MHz range to any CATV Channel from 2 to 125, or Off-Air channel from 2 to 69. Although the input is normally Off-Air channels, the CT-AHP can support any single channel source.

The CT-AHP employs highly stable synthesized frequency control. Setup and tuning is easy and straightforward taking advantage of the unit's front panel access to all level controls and indicators. Channel frequency information with FCC offsets is programmed into each unit at the factory. Non-volatile memory maintains channel selection in event of power loss. The CT-AHP is an excellent choice where the BTSC stereo signal must be preserved when processing Off-Air signals.

Employing the latest low noise AGC, PLL and SAW filter technologies, the CT-AHP reproduces high quality signals while maintaining excellent carrier to noise, spurious output, and return loss figures.

The CT-AHP meets or exceeds government regulatory requirements including FCC Docket 21006 aeronautical offset requirements.

### Application

Designed for commercial grade headend systems, the CT-AHP provides cable operators the engineering ease and flexibility associated with new headend deployments, existing headend upgrades, and system maintenance. These fully agile processors allow the rapid creation of channel lineups, faster channel reassignments, and quicker replacement of failed equipment over traditional fixed frequency devices. Just as important, the CT-AHP's full agility directly improves the operator's bottom line by not requiring an inventory of fixed frequency spares necessary for on-going headend operations.



### Features and Benefits

- Fully frequency agility at fixed channel prices means greater flexibility at less cost
- Input and output frequency of 54 to 806 MHz supports all CATV and Off-Air channel assignments
- Rapid headend design and deployment
- Reduced costs associated with maintaining inventory of spare fixed frequency processors
- Reduced headend down time associated with the search and procurement of a specific fixed frequency processors
- Excellent broadband noise performance at  $-78\text{dBc}$
- Spurious output at  $-60\text{dB}$
- Front panel access to all level controls and indicators
- Excellent value
- 1 warranty
- 3 year extended warranty available

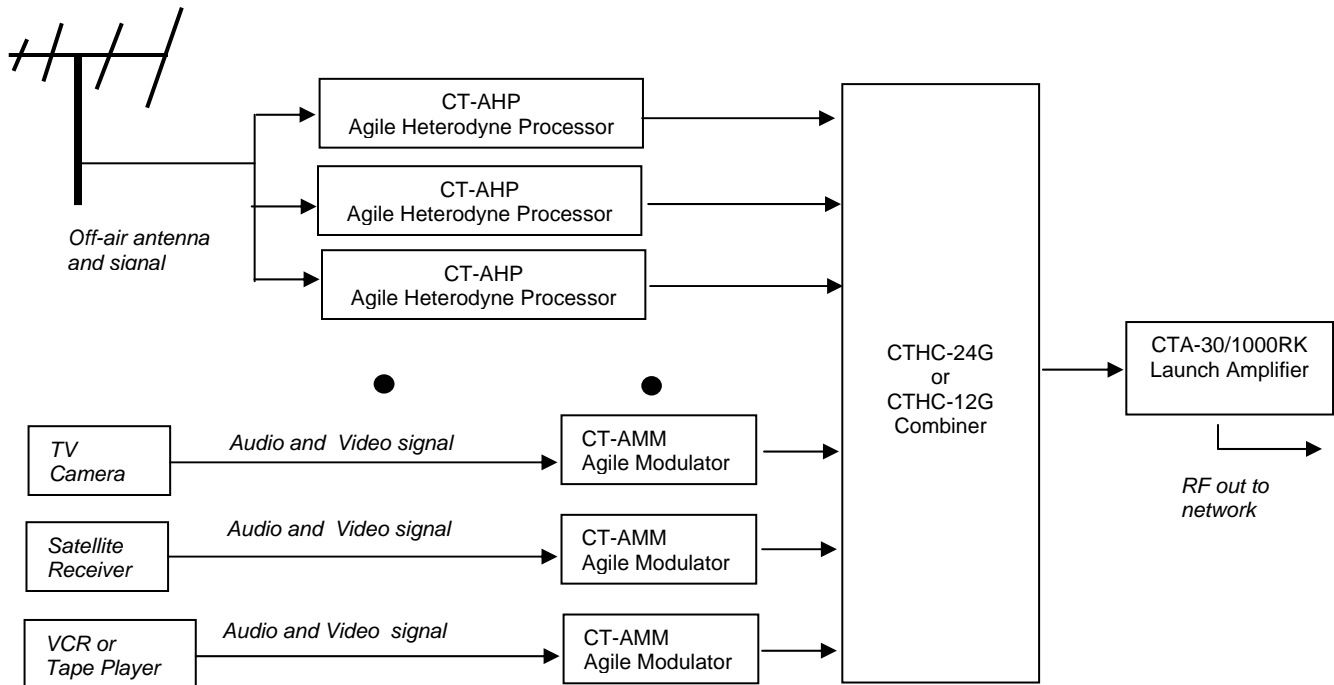
# CT-AHP

## Agile Heterodyne Processor

### Specifications

<b>RF</b>	Output Frequency	54 ~ 806 MHz. CATV Channels 2 to 125 Off-air Channels 2 to 69
	Output Level	+50 dBmV typical, 20 dB Adjustable
	Spurious Output	- 60 dB
	C/N Ratio	60 dB typical
	Broadband Noise	-78 dBc
	Frequency Accuracy	±5 kHz
	Output Impedance	75 Ohms
	Output Return Loss	12 dB
	A/V Ratio	Remains the ratio from the input
	Input Frequency	54 ~ 806 MHz. CATV Channels 2 to 125 Off-air Channels 2 to 69
<b>General</b>	Input Level Range	-5 to +30 dBmV
	Input Impedance	75 Ohms
	Connector	"F" type, female
<b>General</b>	Power Input	12VDC( 150mA), 5V(550mA)
	Weight	1 lb. 3 oz.
	Dimensions	2.1" W x 3.5" H x 7.5" D
	Operating Temperature Range	32°F to 122°F

### Sample Configuration



All product specifications are accurate at time of printing, but are subject to change.

Products are warranted for one year. Warranty can be extended to three years. Contact a sales engineer for details.