



INSTALLATION MANUAL

CT-TVB202

Wall Mount for 20" to 29" CRT Televisions



PACKAGE CONTENTS

This package contains:

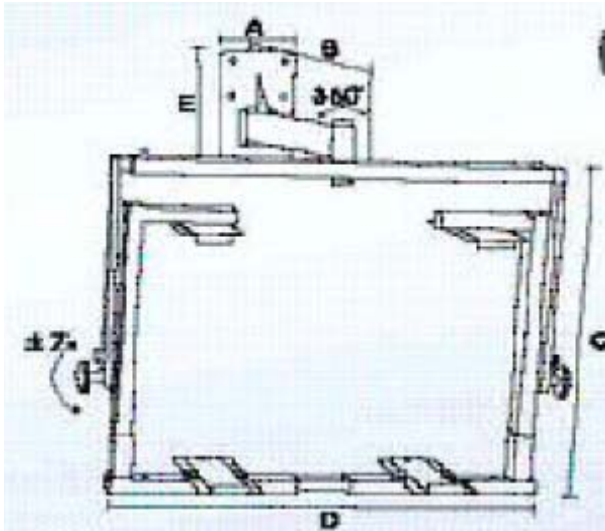
One CT-TVB202 Wall Mount
Installation accessories (see back page for list of all parts)
Installation Manual

PRODUCT DESCRIPTION

The CT-TVB202 is a wall mount designed to support most large size CRT televisions and monitors with screen sizes of 20" to 29". The CT-TVB202 has a maximum loading capacity of 165 pounds, is made of steel, and has a 0° to 7° adjustable tilt. The CT-VCR-1 VCR Bracket is a supported option.

SPECIFICATIONS

The diagram below represents the CT-TVB202's dimensions



A: 4.6"
B: 19.6"
C: 21" – 24"
D: 23.6 – 31.5"
E: 8.6"

INSTALLATION

NOTE TO INSTALLER

Warning: The installer of this product must verify that the mounting surface will safely support the combined weight of all attached equipment and hardware. Improper installation may cause damage or serious injury. The included hardware is for mounting on walls with wood stud, brick, or concrete / concrete block construction for a secure, stable, and reliable mounting. If you are uncertain about the nature of your wall, consult an expert. Please consult your hardware or installation professional for proper mounting to other types of walls. The supplied hardware is not for steel. North American Cable Equipment, Inc. will not be held liable for the improper use or installation of this product.

1. UNPACKING and HANDLING

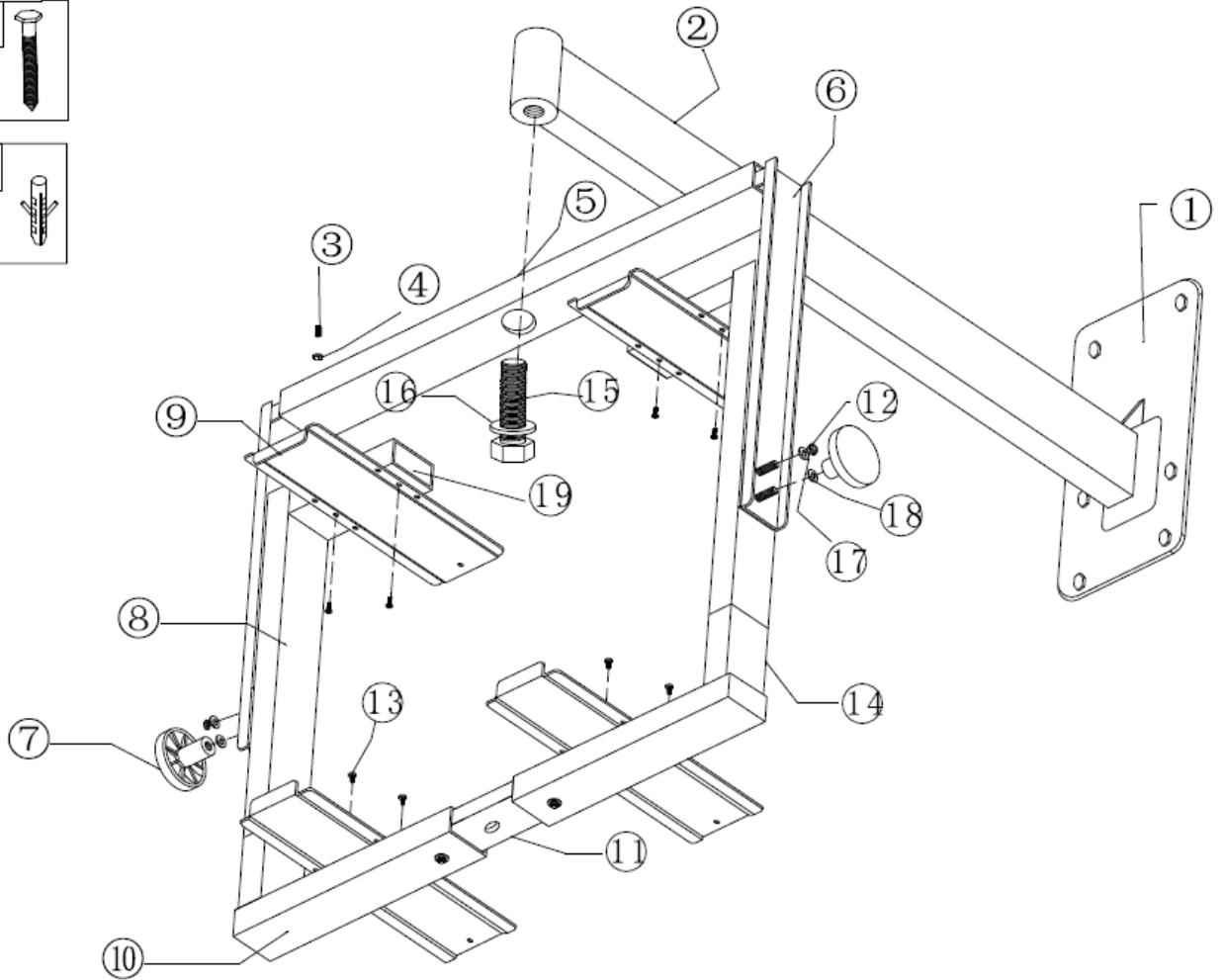
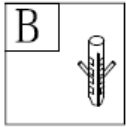
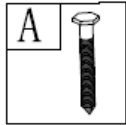
Each unit is shipped with all necessary mounting hardware.

Ensure that all accessories are removed from the container before discarding packing material

2. MECHANICAL INSPECTION

Inspect the product for shipping damage. Make sure the equipment is clean and damage free. If equipment appears to be damaged or defective please contact us at 1-610-429-1511 for assistance. **Never use defective parts.**

3. INSTALLATION



B	wall nylon plug	6	M8×60mm
A	fixing screw	6	M8×60mm
19	bracket	2	120×50×25
18	washer	2	φ8
17	washer	2	φ10
16	washer	1	φ18
15	screw	1	M18×65
14	extension arm	2	73×50×25
13	screw	8	M6×12
12	nut	2	M10
11	lower force arm	1	510×45×18
10	bottom hold arm	2	250×50×25
9	hold plate	4	250×2mm
8	extension arm	2	365×50×25
7	adjustable nut	2	M8
6	extension arm	2	2mm
5	upper force arm	1	560×50×25
4	insert nut	4	M6
3	fixing screw	5	M6×12mm
2	force arm	1	515×50×30
1	wall plate	1	220×120×3
NO.	PART NAME	QTY	MEAS