



# INSTALLATION MANUAL

## **CT-TVB306** **Tray Style Wall Mount** **for 20" to 29" CRT Televisions**



## PACKAGE CONTENTS

This package contains:

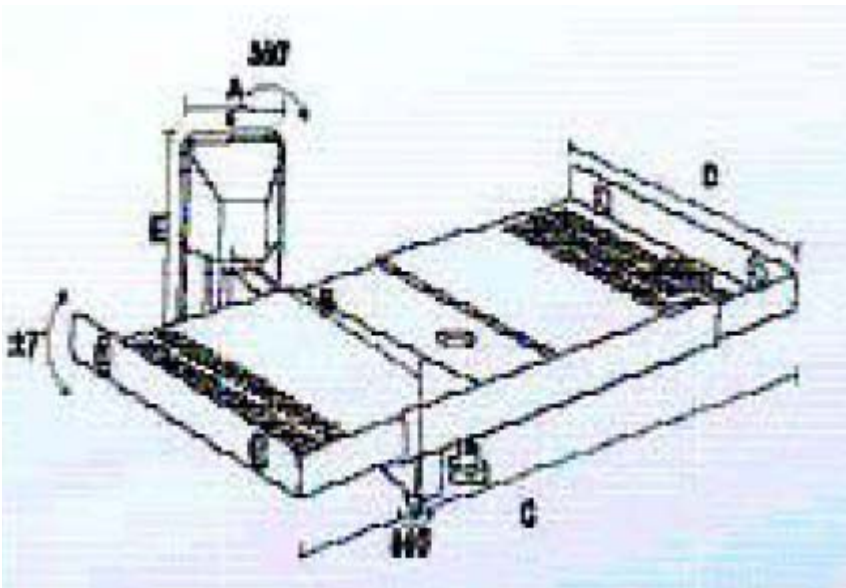
One CT-TVB306 Tray Style Wall Mount  
Installation accessories (see back page for list of all parts)  
Installation Manual

## PRODUCT DESCRIPTION

The CT-TVB306 is a tray style wall mount designed to support most large sized CRT televisions and monitors with screen sizes of 20" to 29". The CT-TVB306 has a maximum loading capacity of 132 pounds, is made of steel, has a 0° to 7° adjustable tilt, and swivels 360°.

## SPECIFICATIONS

The diagram below represents the CT-TVB306's dimensions



A: 4"  
B: 16.5"  
C: 19.6 – 31.5"  
D: 13  
E: 8"

# INSTALLATION

## NOTE TO INSTALLER

**Warning:** The installer of this product must verify that the mounting surface will safely support the combined weight of all attached equipment and hardware. Improper installation may cause damage or serious injury. The included hardware is for mounting on walls with wood, brick, or concrete / concrete block construction for a secure, stable, and reliable mounting. If you are uncertain about the nature of your walls, consult an expert. Please consult your hardware or installation professional for proper mounting to other types of walls. The supplied hardware is not for steel. North American Cable Equipment, Inc. will not be held liable for the improper use or installation of this product.

### 1. UNPACKING and HANDLING

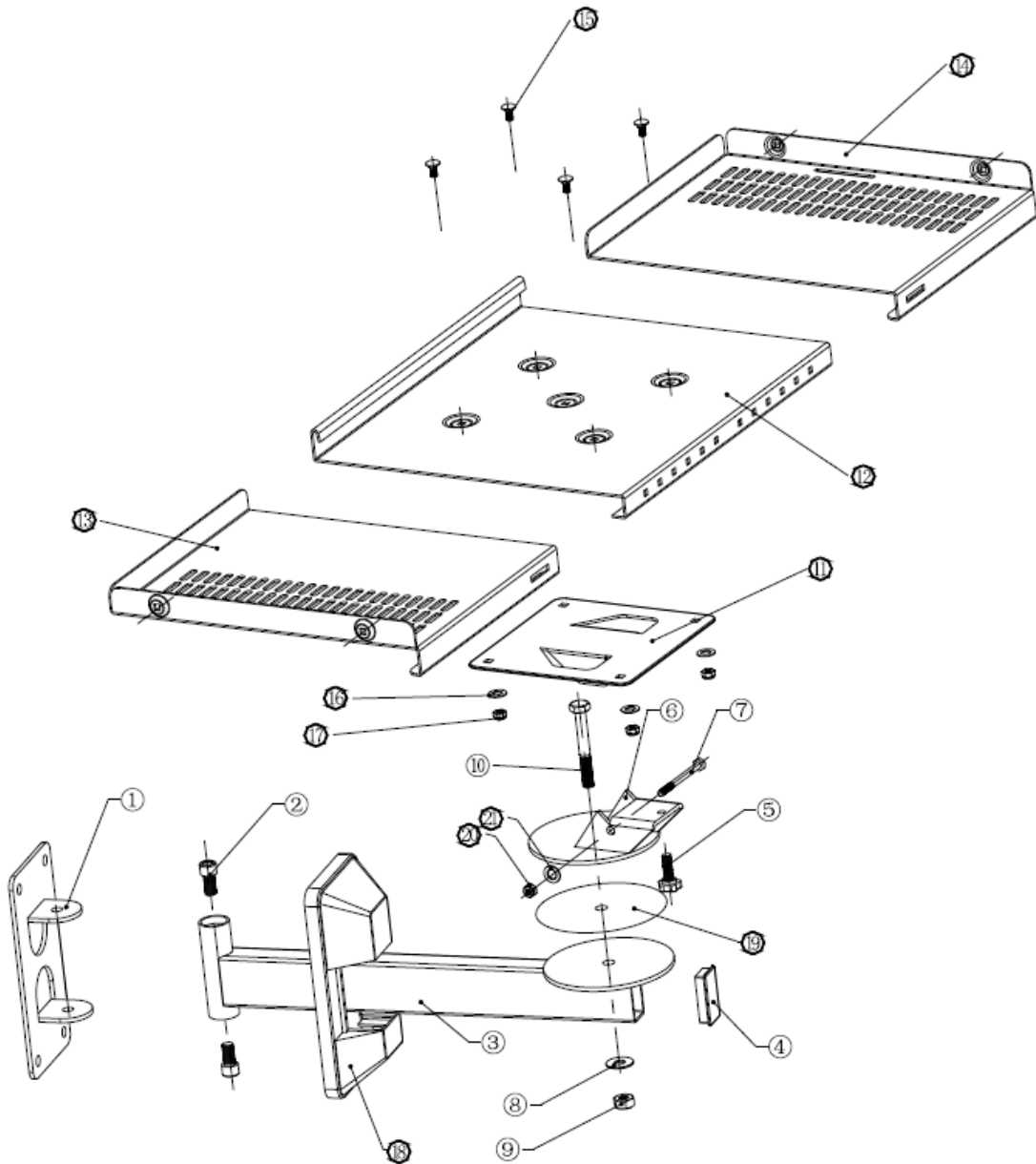
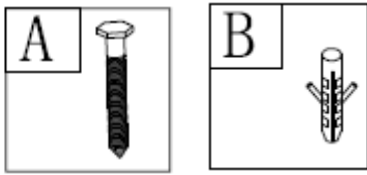
Each unit is shipped with all necessary mounting hardware.

Ensure that all accessories are removed from the container before discarding packing material

### 2. MECHANICAL INSPECTION

Inspect the product for shipping damage. Make sure the equipment is clean and damage free. If equipment appears to be damaged or defective please contact us at 1-610-429-1511 for assistance. **Never use defective parts.**

### 3. INSTALLATION



B	WALL NYLON PLUG	4
A	FIXING SCREW M8×50	4
21	WASHER φ8	1
20	NUT M8	1
19	PVC WASHER	1
18	PLASTIC COVER	1
17	NUT M6	6
16	WASHER φ12×φ6×1.0	6
15	SCREW M6×12	6
14	RIGHT EXTENSION PLATE	1
13	LEFT EXTENSION PLATE	1
12	PLATFORM	1
11	FIXED PLATE	1
10	SCREW M10×80	1
9	NUT M10	1
8	WASHER φ10	1
7	SCREW M8×70	1
6	SWIVEL PLATE	1
5	ADJUSTING SCREW M8×60	1
4	COVER	1
3	ARM 1	1
2	SCREW M8×20	2
1	WALL BASE	1
N.O.	PART NAME	QTY